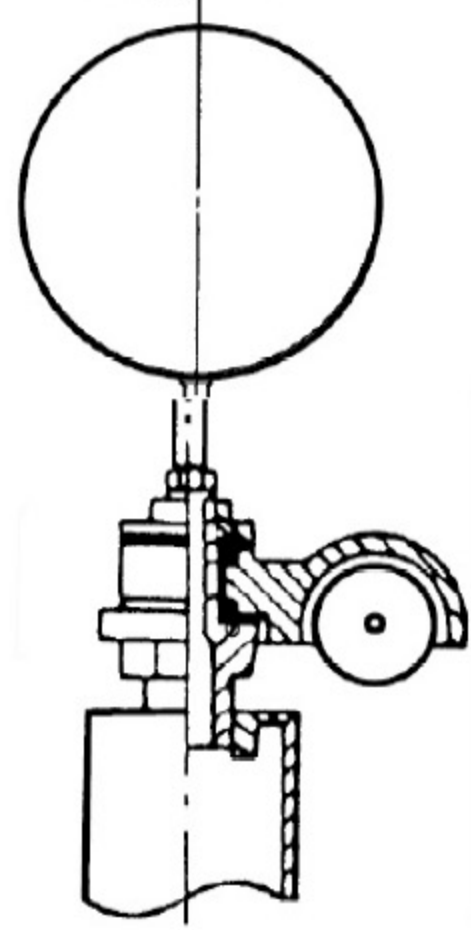
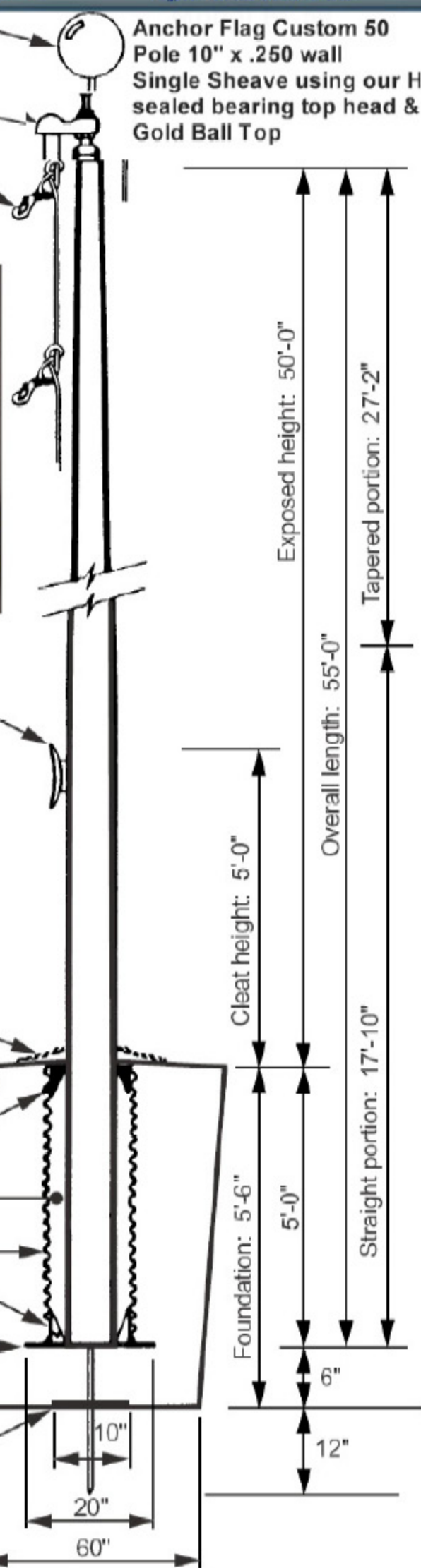


- 12" - 14 gauge spun aluminum ball gold anodized
- Sealed bearing truck, cast aluminum revolving, non-fouling type
- 1 Bronze swivel snap with covers per halyard
- 1 Set of halyards: #10 poly

Anchor Flag Custom 50 Pole 10" x .250 wall Single Sheave using our HD sealed bearing top head & 12" Gold Ball Top

Ball diameter to match pole butt diameter or next larger size.



Truck Detail
 Revolving, non-fouling truck
 Cast aluminum body
Sealed Bearing Unit

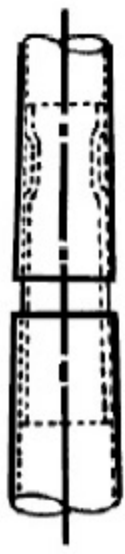
1 - 9" Cast aluminum cleats

- Aluminum flash collar
- 3000 PSI concrete
- Hardwood wedges (supplied by others)
- Dry sand tightly tamped after aligning pole
- Foundation sleeve -16 ga hot dip galvanized steel
- Steel centering wedges
- 1/4" Steel base plate
- 1/4" Steel support plate welded to grounding spike

All shafts with overall length of more than 38'-6" are shipped in two sections.

Each section matched marked for field assembly. Exposed portion of jam sleeve must be **well lubricated** prior to assembly.

1-1/2" maximum shop gap allowed for field fitting (ram for tight joint)



Anchor Flagpole Custom 50 Ft x 10 x .250 Wall

Project:	Ground set tapered aluminum flagpole: ALLOY: 6063T6	Anchor Flag And Flagpole 2044 Hwy 9 West Longs, South Carolina 29568 800-637-3002 / 843-756-9161 FAX. 843-756-9161	Date:
Location:	Exposed height: 50'-0" Overall height: 55'-0"		Revision:
Architect:	Ship in 3 sections Butt diameter: 10"		
Contractor:	Top diameter: 4" AF Custom .250 Wall		
Customer:	Rated 200 MPH +		Job: