

OUTDOOR FLAGPOLES

1" DIAMETER ALUMINUM DISPLAY POLES



- COMES COMPLETE WITH:
- 2-Piece Aluminum Pole
 - Gold Vinyl Ball Ornament
 - 2 Flag Ties & Ground Sleeve

COMPLETE SETS

MODEL	LENGTH	LBS.	SILVER MILL FINISH				BRIGHT GOLD ANODIZED FINISH					
			ITEM #	1-11	12-71	72-95	96+	ITEM #	1-11	12-71	72-95	96+
BPA600	6'	1.0	320000	\$22.00	\$21.00	\$20.00	\$19.00	320005	\$24.00	\$23.00	\$22.00	\$21.00
BPA700	7'	1.1	320001	24.00	23.00	22.00	21.00	320006	26.00	25.00	24.00	23.00
BPA800	8'	1.3	320002	25.00	24.00	23.00	22.00	320007	27.00	26.00	25.00	24.00
BPA900	9'	1.6	320003	26.00	25.00	24.00	23.00	320008	28.00	27.00	26.00	25.00
BPA1000	10'	1.7	320004	27.00	26.00	25.00	24.00	320009	29.00	28.00	27.00	26.00

1" DIAMETER SILVER POLES ONLY

Poles Only - No other accessories are included.

ITEM #	LENGTH	TYPE	PRICE	LBS.
320010	3'	PLAIN	\$6.00	.40
320011	3'	SWEDGED	6.50	.40
320012	4'	PLAIN	7.00	.55
320013	4'	SWEDGED	7.50	.55
320014	5'	PLAIN	8.10	.65
320015	5'	SWEDGED	8.50	.65
324086	6'	SWEDGED	10.00	.80

1" DIAMETER GOLD POLES ONLY

Poles Only - No other accessories are included.

ITEM #	LENGTH	TYPE	PRICE	LBS.
320016	3'	PLAIN	\$6.70	.40
320017	3'	SWEDGED	7.00	.40
320018	4'	PLAIN	7.70	.55
320019	4'	SWEDGED	8.20	.55
320020	5'	PLAIN	9.00	.65
320021	5'	SWEDGED	9.40	.65

FIBERGLASS DISPLAY POLES



- COMES COMPLETE WITH:
- 1-Piece Fiberglass Pole
 - Wood Ball Ornament
 - 2 Flag Ties & Ground Sleeve

COMPLETE SETS

ITEM #	MODEL	LENGTH	DIA.	1-11	12-71	72-95	96+	LBS.
320022	BPFG500	5'	1"	\$22.00	\$20.00	\$19.00	\$18.00	1.6
320023	BPFG600	6'	1"	23.00	22.00	21.00	20.00	1.8
320024	BPFG800	8'	1"	27.00	26.00	25.00	23.00	2.3
320025	BPFG1000	10'*	1"	31.00	29.00	27.00	26.00	2.8

*10' pole cannot ship by UPS.

1" FIBERGLASS POLES ONLY

Poles Only - No other accessories are included.

ITEM #	MODEL	COLOR	LENGTH	1-5	6-11	12-24	25-49	50+	LBS.
320026	FPO-5	WHITE	5'	\$12.50	\$11.50	\$10.50	\$9.50	\$9.00	1.3
320027	FPO-6	WHITE	6'	13.50	12.50	11.50	10.50	9.50	1.5
324080	FPO-6	BLACK	6'	15.00	14.00	13.00	12.00	11.00	1.5
320028	FPO-8	WHITE	8'	17.50	16.50	15.50	14.50	13.50	2.0
320029	FPO-10	WHITE	10'*	21.50	19.50	18.50	17.50	16.50	2.5

*10' pole cannot ship by UPS.

COLLAPSIBLE FLAGPOLES TO GO



• Weighs only 1 lb., made of lightweight silver aluminum, anodized inside and out to prevent oxidizing and corroding.

• Unique design of clips, allows for adjustment of a variety of flag sizes, as well as locking the flag into place.

• The ultimate in flexibility - accommodates flags 1' x 2', 3' x 5' or any size in between.

- Portable for parades, stadium events & home use.
- Fits most flag stands & adjustable brackets.
- Telescopes easily.

ITEM #	MODEL	EXTENDED LENGTH	CLOSED LENGTH	BOTTOM DIA.	TOP DIA.	1-5	6+	LBS.
320031	FTG-6	6'	40"	7/8"	1/2"	\$22.00	\$20.00	.55
320032	FTG-6S	6 1/2'	17 1/2"	1 1/4"	1/2"	44.00	42.00	.90
320033	FTG-9	9'	40"	7/8"	1/2"	27.00	25.00	.80
320034	FTG-12	12'	40"	7/8"	1/2"	33.00	31.00	.95
320035	FTG-15	15'	40"	1"	1/2"	40.00	38.00	1.6
320036	FTG-18	18'	40"	1 1/8"	1/2"	48.00	46.00	2.0
320037	FTG-21	21'	40"	1 1/4"	1/2"	56.00	54.00	2.3

TAILGATE STANDS FOR FLAGPOLES TO GO



Two-piece design collapses to 2" tall for easy storage. Lightweight aluminum with an enamel coating to prevent oxidizing. Set screw locks pole into place and can hold all sizes of our collapsible poles.

ITEM #	1-5	6+	LBS.
323515	\$54.00	\$50.00	3.0

RESIDENTIAL FIBERGLASS OUTRIGGER FLAGPOLE



The very best for every residence! Sturdy, lightweight, maintenance-free. Flagpole is a 6' fiberglass tube with butt diameter of 1 1/4" and top diameter of 5/8". High gloss, gleaming white, carefree finish. Non-corrosive and non-conductive.

Standard fittings include gold anodized aluminum ball ornament, polyester halyard, wall bracket, polyester cleat, truck with pulley and snap hooks.

ITEM #	MODEL	1	2-5	6-11	12+	LBS.
320030	FGOR6	\$140.00	\$136.00	\$132.00	\$128.00	3.1



LAWN-MATE FLAGPOLE

An all aluminum ground set flagpole available in 12' lengths. Flagpole consists of 1³/₈" diameter silver anodized, seamless aluminum tubing sections which swedge into each other providing a smooth exterior finish.

STANDARD FITTINGS INCLUDE:

- 2¹/₂" gold vinyl ball ornament
- Nylon flag ties for securing flag to pole
- Heavy-duty cast aluminum ground sleeve with cap
- Can be shipped UPS

COMPLETE SET

ITEM #	FINISH	# OF SECTIONS	# OF			LBS.
			1-5	6-11	12+	
320038	SILVER	2	\$62.00	\$60.00	\$58.00	4.1

1³/₈" DIAMETER SECTIONS ONLY

ITEM #	FINISH	LENGTH	DESCRIPTION	PRICE	LBS.
320039	SILVER	6'	PLAIN	\$22.00	1.4
320040	SILVER	6'	SWEDGED	23.00	1.4



TELESCOPING WONDER POLES

These white fiberglass flagpoles sway in the breeze producing a dramatic, attention-getting display. Available in both 15' and 21' exposed height sizes and comes complete with 24" PVC ground sleeve and easy-to-follow instructions. The 15' pole is adjustable from 6' to 15' while the 21' pole is adjustable from 8' to 21'. When used in combination with our Never-Furl flag unfurlers on page 119, the visual effect is amazing. The number of flags recommended to be flown the 15' pole are: (1) 3' x 5' or (1) 4' x 6' or (2) 2' x 3'. The number of flags recommended to be flown on the 21' pole are: up to (2) 3' x 5' or up to (3) 2' x 3' or (1) 4' x 6' and (1) 3' x 5'. Note: the pricing below does not include any flags or flag unfurlers.

ITEM #	HEIGHT	BUTT DIA.	TOP DIA.	1-5	6+	LBS.
323442	15'	1 ¹ / ₄ "	3/4"	\$80.00	\$76.00	5.2
323443	21'	1 ¹ / ₄ "	3/4"	84.00	80.00	7.0



COLONIAL FLAGPOLES

All aluminum ground set flagpoles available in 12', 18' & 22' lengths. Flagpole consists of powder coated white painted seamless aluminum tubing sections which swedge together providing a smooth exterior finish.

STANDARD FITTINGS INCLUDE:

- Eyebolt & pulley assembly for easy raising & lowering of flag
- Solid braided polypropylene halyard (rope) with 2 nylon flag snaps
- Cast nylon rope cleat with mounting screws
- Gold vinyl ball ornament
- Decorative display/storage box
- Heavy-duty ground sleeve
- Can be shipped UPS

COMPLETE SETS

ITEM #	MODEL	OVERALL LENGTH	BUTT/TOP DIAMETER	# OF SECTIONS	FINISH	1-5	6-11	12-23	24+	LBS.
320041	WA12	12'	1 ³ / ₈ "	3	WHITE	\$74.00	\$70.00	\$68.00	\$62.00	4.5
320042	WA18	18'	1 ⁵ / ₈ "	4	WHITE	90.00	82.00	80.00	78.00	7.2
320043	WA22	22'	1 ³ / ₄ "	4	WHITE	134.00	128.00	124.00	118.00	11

SECTIONS ONLY

ITEM #	FOR POLE MODEL	LENGTH	DIA.	FINISH	DESCRIPTION	PRICE	LBS.
320044	WA12	48"	1 ³ / ₈ "	WHITE	PLAIN - NO DRILLING	\$15.00	1.1
324087	WA12	48"	1 ³ / ₈ "	WHITE	PLAIN - DRILLED FOR PULLEY	16.00	1.1
320045	WA12	48"	1 ³ / ₈ "	WHITE	SWEDGED - NO DRILLING	16.00	1.1
320046	WA12	48"	1 ³ / ₈ "	WHITE	SWEDGED - DRILLED FOR CLEAT	17.00	1.1
320047	WA18	54"	1 ⁵ / ₈ "	WHITE	SWEDGED - NO DRILLING*	18.00	1.4
320048	WA18	54"	1 ⁵ / ₈ "	WHITE	SWEDGED - DRILLED FOR CLEAT*	19.00	1.4
323984	WA18	54"	1 ⁵ / ₈ "	WHITE	SWEDGED - DRILLED FOR PULLEY*	19.00	1.4
320049	WA22	66"	1 ³ / ₄ "	WHITE	PLAIN - NO DRILLING	21.00	1.8
324088	WA22	66"	1 ³ / ₄ "	WHITE	PLAIN - DRILLED FOR PULLEY	22.00	1.8
320050	WA22	66"	1 ³ / ₄ "	WHITE	SWEDGED - NO DRILLING	22.00	1.8
320051	WA22	66"	1 ³ / ₄ "	WHITE	SWEDGED - DRILLED FOR CLEAT	23.00	1.8

*The WA18 is supplied with all swedged sections.

18' COLONIAL FLAGPOLE

In Shrink-wrapped Open Display Box

Identical to our 18' colonial flagpole described above except this set comes complete with a 3' x 5' Endura-Poly™ U.S. flag. This set is a perfect choice where point-of purchase impact is desired. Each set comes individually boxed to protect the graphics & shrink film.

ITEM #	MODEL	1-5	6-11	12-23	24+	LBS.
320052	SW18	\$94.00	\$86.00	\$84.00	\$82.00	8.7



Complete sets shipped in decorative display box.



With 3' x 5' U.S. Flag

OUTDOOR FLAGPOLES



WHITE TITAN FLAGPOLES

These flagpoles offer exceptional quality at a budget price. The flagpole tubing sections are heavy-duty 19 gauge first run quality steel. The entire inside length of the flagpole is galvanized to prevent rusting while the outside is beautifully finished with a white polyester powder coated painted finish. The tubing sections swedge together perfectly to provide a smooth exterior finish. All of these flagpoles are complete with a gold vinyl ball ornament, pulley assembly, rope (halyard), a cast nylon rope cleat with mounting screws, nylon flag snaps, PVC foundation sleeve and easy-to-follow installation instructions. All sizes are UPSable.

COMPLETE SETS

ITEM #	MODEL	EXPOSED HEIGHT	BUTT/TOP DIAMETER	# OF SECTIONS	FINISH	1-5	6-11	12-23	24+	LBS.
323430	WT12	12'	1 ³ / ₈ "	3	WHITE	\$56.00	\$52.00	\$50.00	\$48.00	10
323431	WT18	18'	1 ⁵ / ₈ "	4	WHITE	78.00	74.00	72.00	70.00	16
323432	WT22	22'	1 ³ / ₄ "	5	WHITE	120.00	112.00	106.00	100.00	22

SECTIONS ONLY

ITEM #	FOR POLE MODEL	LENGTH	DIA.	FINISH	DESCRIPTION	PRICE	LBS.
323433	WT12	54 ¹ / ₂ "	1 ³ / ₈ "	WHITE	PLAIN - NO DRILLING	\$14.00	2.6
324089	WT12	54 ¹ / ₂ "	1 ³ / ₈ "	WHITE	PLAIN - DRILLED FOR PULLEY	16.00	2.6
323434	WT12	54 ¹ / ₂ "	1 ³ / ₈ "	WHITE	SWEDGED - NO DRILLING	15.00	2.6
323435	WT12	54 ¹ / ₂ "	1 ³ / ₈ "	WHITE	SWEDGED - DRILLED FOR CLEAT	15.00	2.6
323436	WT18	61 ¹ / ₂ "	1 ⁵ / ₈ "	WHITE	PLAIN - NO DRILLING	16.00	3.5
324090	WT18	61 ¹ / ₂ "	1 ⁵ / ₈ "	WHITE	PLAIN - DRILLED FOR PULLEY	18.00	3.5
323437	WT18	61 ¹ / ₂ "	1 ⁵ / ₈ "	WHITE	SWEDGED - NO DRILLING	16.00	3.5
323438	WT18	61 ¹ / ₂ "	1 ⁵ / ₈ "	WHITE	SWEDGED - DRILLED FOR CLEAT	17.00	3.5
323439	WT22	61 ¹ / ₂ "	1 ³ / ₄ "	WHITE	PLAIN - NO DRILLING	19.00	3.8
324091	WT22	61 ¹ / ₂ "	1 ³ / ₄ "	WHITE	PLAIN - DRILLED FOR PULLEY	21.00	3.8
323440	WT22	61 ¹ / ₂ "	1 ³ / ₄ "	WHITE	SWEDGED - NO DRILLING	20.00	3.8
323441	WT22	61 ¹ / ₂ "	1 ³ / ₄ "	WHITE	SWEDGED - DRILLED FOR CLEAT	21.00	3.8

HOMESTEADER FLAGPOLES



New Heavy-Duty 20' Homesteader. See Model HS20HD Below

STANDARD FITTINGS INCLUDE:

- Gold anodized aluminum ball ornament 3" diameter on HS10, HS15 & HS20 4" diameter on HS25 & HS20HD
- Cast aluminum truck with pulley
- Polypropylene halyard with 2 nylon flag snaps
- Cast nylon rope cleat with mounting screws
- Heavy-duty ground sleeve
- Decorative display/storage box is UPSable

All aluminum ground set flagpoles available in 10', 15', 20', & 25' exposed heights. Flagpole consists of silver anodized, seamless aluminum tubing sections which swedge together providing a smooth exterior finish.

COMPLETE SETS WITH SILVER ANODIZED FINISH

ITEM #	MODEL	EXPOSED HEIGHT	BUTT/TOP DIAMETER	# OF SECTIONS	1-2	3-6	7-12	13-24	25-49	50+	LBS.
320053	HS10	10'	2"	2	\$96.00	\$94.00	\$92.00	\$90.00	\$88.00	\$86.00	8.1
320054	HS15	15'	2"	3	108.00	106.00	104.00	102.00	100.00	98.00	11
320055	HS20	20'	2"	4	124.00	122.00	120.00	118.00	116.00	114.00	13
460080	HS20HD	20'	2 ¹ / ₂ "	5	192.00	188.00	186.00	184.00	180.00	176.00	23
320056	HS25	25'	2 ¹ / ₂ "	6	236.00	228.00	222.00	216.00	210.00	204.00	26

SILVER ANODIZED SECTIONS ONLY

ITEM #	LENGTH	DIA.	DESCRIPTION	PRICE	LBS.
320057	70"	2"	PLAIN - NO DRILLING	\$22.00	2.2
320058	70"	2"	PLAIN - DRILLED FOR CLEAT	23.00	2.2
320059	70"	2"	SWEDGED - NO DRILLING	23.00	2.2
320060	70"	2"	SWEDGED - DRILLED FOR CLEAT	24.00	2.2
320061	59"	2 ¹ / ₂ "	PLAIN - NO DRILLING	27.00	3.0
320062	59"	2 ¹ / ₂ "	SWEDGED - NO DRILLING	28.00	3.0
320063	59"	2 ¹ / ₂ "	SWEDGED - DRILLED FOR CLEAT	29.00	3.0

HOMESTEADER FLASH COLLARS



8" Outside Diameter 2¹/₄" High with Clear Anodized Finish

Weight = .50 lbs. each

ITEM #	FOR MODEL #	1-5	6+
320064	HS10, HS15, HS20	\$23.00	\$21.00
320065	HS20HD, HS25	23.00	21.00

Items in this catalog are the most popular in the flag and flagpole industry. If you do not see what you want please call or fax for a prompt quotation.

15' & 20' HOMESTEADERS IN POINT-OF-PURCHASE DISPLAY BOX

In Shrink-Wrapped Open Display Box



Each display box is individually boxed to protect the graphics & shrink film.

COMPLETE SETS WITH SILVER ANODIZED FINISH

ITEM #	MODEL	EXPOSED HEIGHT	DIA.	# OF SECTIONS	1-2	3-6	7-12	13-24	25-49	50+	LBS.
320066	HS15-CD	15'	2"	4	\$128.00	\$126.00	\$124.00	\$122.00	\$120.00	\$118.00	13
320067	HS20-CD	20'	2"	5	142.00	140.00	138.00	136.00	134.00	132.00	15

SILVER ANODIZED SECTIONS ONLY

ITEM #	LENGTH	DIA.	DESCRIPTION	PRICE	LBS.
320068	56"	2"	PLAIN - NO DRILLING	\$19.00	1.7
320069	56"	2"	SWEDGED - NO DRILLING	20.00	1.7
320070	56"	2"	SWEDGED - DRILLED FOR CLEAT	21.00	1.7

20' TAPERED HOMESTEADER FLAGPOLE

With a Butt Diameter of 3" Tapering to a Top Diameter of 2"

All aluminum ground set flagpole available in 20' exposed height with a butt diameter of 3" tapering to a top diameter of 2". Flagpole consists of silver anodized, seamless aluminum tuning sections which swedge together providing a smooth, tapering appearance.

- 3" gold anodized aluminum ball ornament
- Cast aluminum truck with pulley
- Polypropylene halyard with 2 nylon flag snaps
- Cast nylon rope cleat with mounting screws
- Heavy-duty ground sleeve
- Decorative display/storage box is UPSable

COMPLETE SETS WITH SILVER ANODIZED FINISH

ITEM #	MODEL	EXPOSED HEIGHT	# OF SECTIONS	1-2	3-6	7-12	13-24	25-49	50+	LBS.
320077	TH20	20'	5	\$240.00	\$230.00	\$220.00	\$210.00	\$200.00	\$190.00	19

SILVER ANODIZED SECTIONS ONLY

ITEM #	MODEL	DIA.	LENGTH	DESCRIPTION	PRICE	LBS.
320078	THS-1	3"	56"	BOTTOM SECTION	\$34.00	2.4
320079	THS-2	3"	56"	2 ND FROM BOTTOM - DRILLED FOR CLEAT	36.00	2.4
320080	THS-3	2 ^{5/8} "	56"	3 RD FROM BOTTOM SECTION	32.00	2.2
320081	THS-4	2 ^{1/4} "	56"	4 TH FROM BOTTOM SECTION	30.00	1.8
320082	THS-5	2"	56"	TOP SECTION	26.00	1.7



10' HOMESTEADER OUTRIGGER FLAGPOLES

Standard accessories include 3" gold anodized aluminum ball ornament, cast aluminum truck with pulley, 30' polypropylene halyard with 2 nylon flag snaps, cast nylon cleat with mounting screws and 30° or 45° mounting bracket (mounting hardware not included). Canned be shipped by UPS.

COMPLETE SETS WITH SILVER ANODIZED FINISH

ITEM #	MODEL	BUTT/TOP DIA.	# OF SECTIONS	DESCRIPTION	1-5	6+	LBS.
320071	HSO10-30	2"	2	w/30° BRACKET	\$162.00	\$156.00	12
320072	HSO10-45	2"	2	w/45° BRACKET	158.00	150.00	10

MOUNTING BRACKETS ONLY

ITEM #	ANGLE	FINISH	1-5	6+	LBS.
320073	30°	SILVER	\$64.00	\$61.00	3.4
320074	45°	SILVER	60.00	57.00	1.1

30° BRACKET

45° BRACKET



10' HOMESTEADER VERTICAL WALL MOUNTED FLAGPOLES

Standard accessories include 3" gold anodized aluminum ball ornament, cast aluminum truck with pulley, 30' polypropylene halyard with 2 nylon flag snaps, cast nylon cleat with mounting screws and mounting brackets (mounting hardware not included). Can be shipped by UPS.

COMPLETE SETS WITH SILVER ANODIZED FINISH

ITEM #	MODEL	BUTT/TOP DIA.	# OF SECTIONS	1-5	6+	LBS.
320075	HSV10	2"	2	\$150.00	\$144.00	11

MOUNTING BRACKETS ONLY

Priced Per Set

ITEM #	FINISH	1-5	6+	LBS.
320076	SILVER	\$54.00	\$50.00	2.9



OUTDOOR FLAGPOLES



Simply press the "release" button to lower the pole



Easy Installation

TELESCOPING FLAGPOLES

Aluminum Flagpoles Available in Exposed Heights of 15', 20' & 25'

Rope and Pulley Free

No tangles or knots!

Noise Free

No clanging ropes

Maintenance Free

No Painting, No Rust

Sturdy 16 Gauge Aluminum

Durable

A convenient flick of a spring release button extends or retracts these flagpoles in seconds. Standard fittings include polycarbonate swivel rings including a double flag harness which allows flying two flags, a clear polycarbonate collar which fits around the lowest button on the pole to prevent unauthorized raising or lowering of the flagpole. This collar can be secured with a nut and bolt or a small lock (not included). The 15' and 20' poles are supplied with a 3" gold ball. The 25' pole is not supplied with a ball ornament, however, we suggest a 4" diameter ball which can be ordered separately. All are supplied with heavy duty PVC foundation sleeve. Note: all exposed heights include the ball ornament and are approximate.

MODEL	EXP. HT.	BUTT DIA.	TOP DIA.	LBS.	CLEAR ANODIZED				BRONZE ANODIZED				BLACK ANODIZED				WHITE PAINTED			
					ITEM #	1-2	3-6	7+	ITEM #	1-2	3-6	7+	ITEM #	1-2	3-6	7+	ITEM #	1-2	3-6	7+
T16	15'	2 1/4"	1 3/4"	12	320083	\$298	\$286	\$276	320085	\$346	\$336	\$324	320087	\$346	\$336	\$326	320089	\$372	\$362	\$352
T20	20'	2 1/2"	1 3/4"	17	320084	338	318	308	320086	396	376	366	320088	398	378	358	320090	424	404	394
T25	25'	2 1/2"	1 3/4"	19	323446	400	390	380												

OPTIONAL ACCESSORIES



SLEEVE CLAMP

Stainless Steel Prevents Lifting Pole out of Ground Sleeve

ITEM #	DESCRIPTION	PRICE	LBS.
320091	FOR 15' POLE	\$8.00	.30
320092	FOR 20' & 25' POLES	8.00	.30



ALUMINUM TRAILER HITCH MOUNT

For Standard 2" Square Reese Receiver Hitches

ITEM #	DESCRIPTION	PRICE	LBS.
323445	FOR 15', 20' & 25' POLES	\$95.00	5.2



ALUMINUM SIDE MOUNT

Mounts to any Flat or Round Surface

ITEM #	DESCRIPTION	PRICE	LBS.
320095	FOR 15', 20' & 25' POLES	\$72.00	3.3



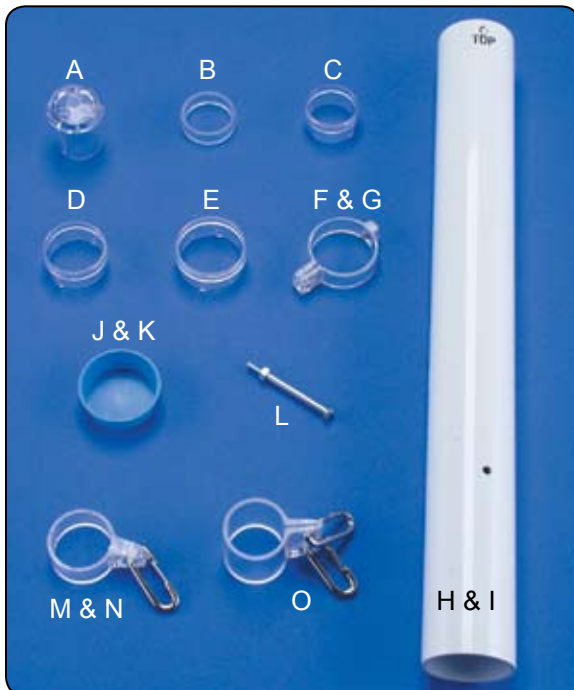
ALUMINUM WHEEL MOUNT

ITEM #	DESCRIPTION	PRICE	LBS.
320093	FOR 15', 20' & 25' POLES	\$105.00	12



ALUMINUM DOCK MOUNT

ITEM #	DESCRIPTION	PRICE	LBS.
320094	FOR 15', 20' & 25' POLES	\$72.00	4.7



REPLACEMENT PARTS

ITEM #	DESCRIPTION	PRICE	LBS.
A	320096	TOP ORNAMENT FITTING FOR 15' & 20' POLES	\$6.00 .10
A	324097	TOP ORNAMENT FITTING FOR 25' POLE	6.00 .10
B	320097	TOP STOP RING FOR 15' & 20' POLES	3.00 .05
B	324101	TOP STOP RING FOR 25' POLE	4.00 .04
C	320098	SMALL BUSHING FOR 15' & 20' POLES	4.00 .05
C	324102	EXTRA SMALL BUSHING FOR 25' POLE	4.00 .04
D	320099	MEDIUM BUSHING FOR 15', 20' & 25' POLES	4.00 .05
E	320100	LARGE BUSHING FOR 20' & 25' POLES	4.00 .05
F	320101	PIN LOCK FOR 15' POLE	8.00 .05
G	320102	PIN LOCK FOR 20' & 25' POLES	8.00 .05
H	320105	FOUNDATION SLEEVE FOR 15' POLE*	15.00 1.4
I	320106	FOUNDATION SLEEVE FOR 20' & 25' POLES	15.00 1.4
J	320107	FOUNDATION SLEEVE CAP FOR 15' POLE	1.00 .02
K	320108	FOUNDATION SLEEVE CAP FOR 20' & 25' POLES	1.00 .02
L	320109	FOUNDATION SLEEVE PIN BOLT FOR 15', 20' & 25' POLES	2.00 .10
M	320110	TOP FLAG HARNESS FOR 15' & 20' POLES - BOTTOM FLAG HARNESS FOR 25' POLE	8.00 .15
M	324098	TOP FLAG HARNESS FOR 25' POLE	8.00 .15
N	320111	BOTTOM FLAG HARNESS FOR 15' & 20' POLES	10.00 .15
O	320112	DOUBLE FLAG HARNESS FOR 15' & 20' POLES	12.00 .20
O	324099	DOUBLE FLAG HARNESS FOR 25' POLE	12.00 .20

*Sleeve cap & sleeve pin bolt are supplied with foundation sleeve.

GROUND SET CONE TAPERED ALUMINUM FLAGPOLES



GENERAL INFORMATION

Our cone tapered ground set aluminum flagpoles are precision fabricated from new, 6063-T6 tubing utilizing the industry's most sophisticated, state-of-the-art manufacturing processes. The conical portion tapers approximately 1" in every 5¹/₂ feet. Poles with overall lengths of less than 38'6" are shipped in one piece. Longer lengths are shipped in sections and will be factory fitted with a self-aligning sleeve which requires no field welding. Upon proper assembly a hair-line joint will occur.

All poles are double spiral wrapped with protective paper and shipped in a hard fiber tube. **“Warning” - The flagpole shaft will stain if allowed to remain in contact with wet or damp wrappings. If there is any sign that the shaft or its shipping tube has come in contact with water during shipment, remove it from the tube and unwrap immediately. If the shaft is to be stored outdoors, it must be stored unwrapped, and off the ground. If the shaft is to be stored indoors, it may be left in the wrappings and the tube, provided that it shows no sign of having been exposed to moisture, and that it will not be exposed to moisture during storage.**

All foundation dimensions listed in this catalog are intended for general guidelines only in good, firm, dry soil. It is recommended to consult an engineer for specific foundation dimensions suited to your exact location. **“Warning” - Extreme care must be exercised when installing flagpoles near overhead power lines or when digging in the vicinity of buried cable or piping. Contact your local authorities before any digging.**

STANDARD FINISHES

All flagpole shafts are highly polished with fine grain aluminum oxide cloth resulting in a high quality, deep satin lustre finish. This finish represents the ultimate in architectural finishes for aluminum flagpoles. The elegant, soft sheen remains maintenance free. In addition to satin, the following anodized finishes are available as standard colors: clear, light bronze #311, medium bronze #312, dark bronze #313 & black #335. *Note: of the three bronze finishes, dark bronze #313 is supplied unless otherwise specified.*

CUSTOM FINISHES

In addition to the above standard finishes, we offer alternate finishes which may suit particular job conditions better. Among these are: Kalcolor (light amber, amber, gold & statuary bronze), Kynar 500 (your choice of color), Duracron-baked acrylic (your choice of color) or gold anodized (shafts up to 20'). Call, write or fax for a prompt quotation on custom finishes.



SATIN



CLEAR



BRONZE #311



BRONZE #312



BRONZE #313



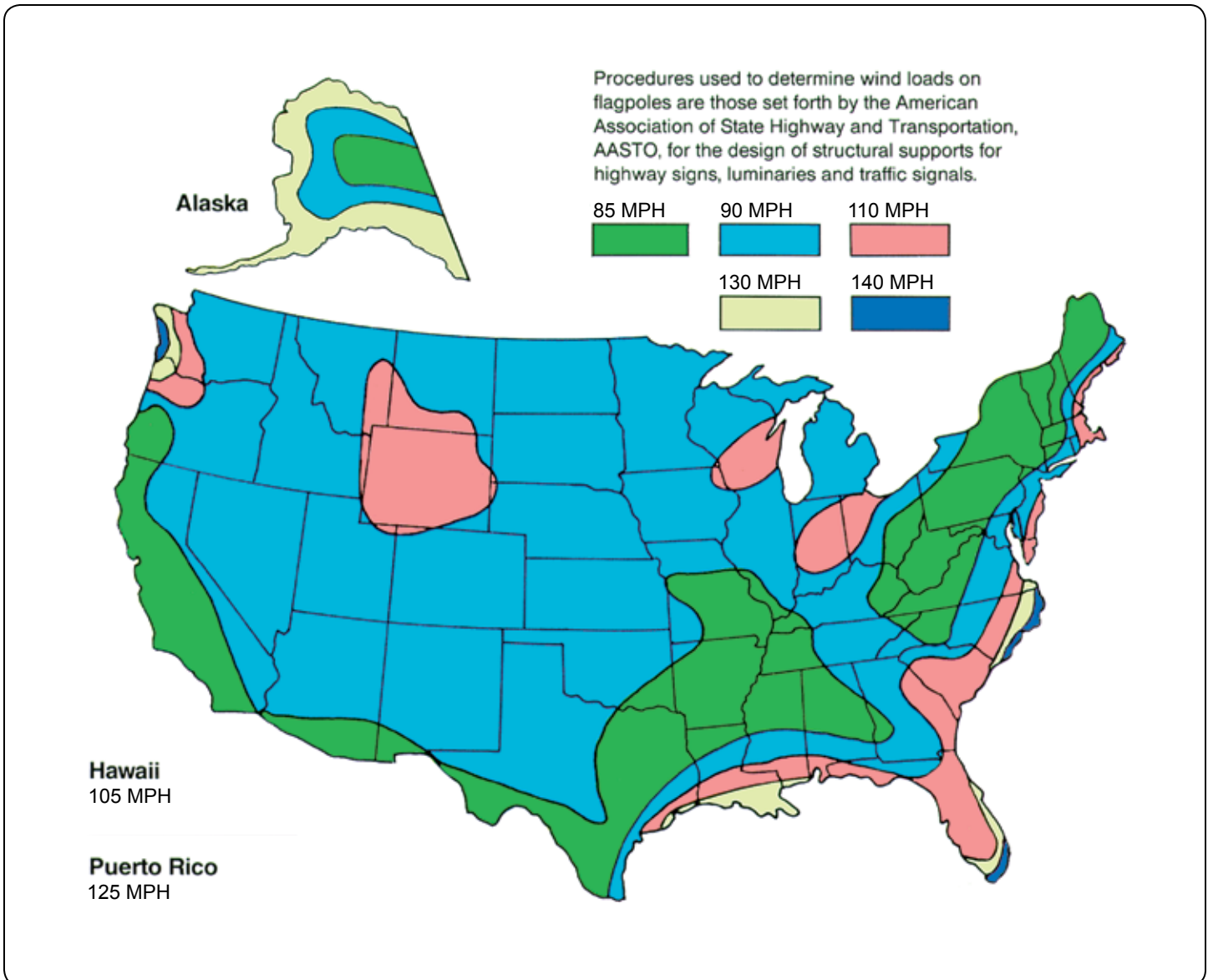
BLACK

OUTDOOR FLAGPOLES

GROUND SET CONE TAPERED ALUMINUM FLAGPOLES

WIND CHART

The map below shows the maximum steady wind expected at an elevation of thirty feet above ground level within a fifty-year period of recurrence. Areas with the same maximum constant or steady wind speed are indicated. Because wind speeds are usually not constant, and gusts are involved, flagpoles (both flagged and unflagged) are listed in this catalog with a constant wind speed and a 1.3 gust factor. "WARNING" - recommended flag sizes throughout this catalog do not represent a warranty that the flag size shown may be safely flown in all wind speeds. Personal injury, flagpole damage or property damage can occur when flying oversized flags and banners or flying flags in higher winds than recommended. Flagpoles and their associated wind speeds listed assume that ten percent of the overall length of the flagpole is buried per or recommendations at or near ground level. Special engineering may be required for other applications such as wall or roof mounted flagpoles. Please call, write or fax for a prompt response regarding any situation that may require special engineering.



Design of safe flagpoles requires knowledge of the loads to which they will be subjected. Principal load acting on flagpoles is wind load and that load must be carefully determined. Maximum wind speeds to which flagpoles are exposed depend on geographical location, whether or not it is in the center of a large city, a small town's outskirts, seashore, at ground level or on the roof of a high building. Wind speeds generally are higher along coastal areas than inland. They are also higher in open country than in the center of cities. Wind speed also becomes greater as height above ground increases. Wind exerts a force on the pole as well as the flag, thus both loads must be added to determine total load. Flags of different sizes are designed to be flown from different poles. **Obviously, it is important that flagpoles be selected which are capable of supporting the largest flag intended to be flown in the highest wind speed to which it will be subjected.** Loads on flagpoles are resisted by the mounting foundation, roof or wall to which it is secured.

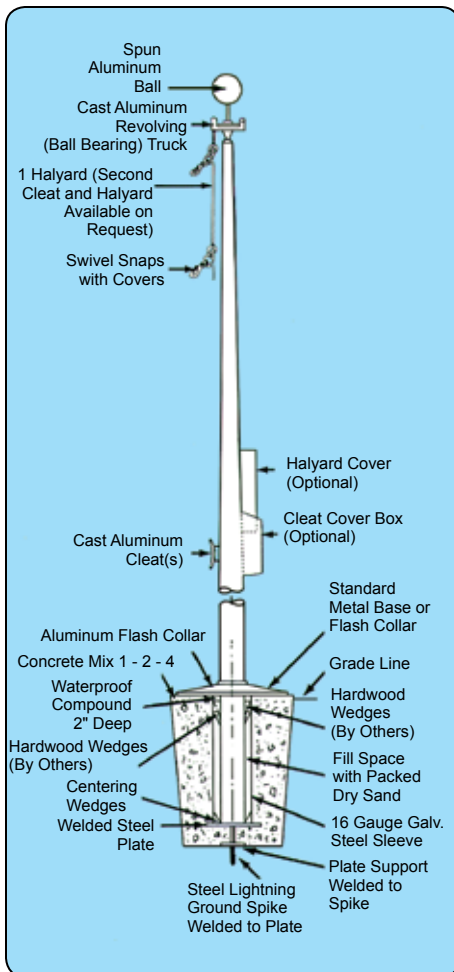
ARCHITECTURAL SERIES

External Halyard Ground Set Cone Tapered Aluminum Flagpoles

STANDARD ACCESSORIES

- Gold anodized aluminum ball ornament
- Cast aluminum cleat with mounting screws
- Cast aluminum revolving truck w/pulley
- Spun aluminum flash collar
- Solid braided polypropylene halyard
- Galvanized steel foundation sleeve
- Swivel flag snaps w/vinyl snap covers

MODEL	EXPOSED HEIGHT	OVERALL LENGTH	BUTT DIA.	TOP DIA.	WALL	MAX. UNFLAGGED WIND SPEED	MAX. FLAGGED WIND SPEED	MAX. SUGGESTED FLAG SIZE	SHIPPING WEIGHT
EC20	20'	23'	5"	3"	.188	315 MPH	120+ MPH	5' x 8'	118 lbs
EC25	25'	27'	5 1/2"	3 1/2"	.188	250 MPH	120+ MPH	5' x 8'	150 lbs.
EC30	30'	33'	6"	3 1/2"	.188	211 MPH	120+ MPH	5' x 8'	195 lbs.
EC35	35'	38 1/2'	7"	3 1/2"	.188	202 MPH	120 MPH	6' x 10'	255 lbs.
EC40	40'	44'	8"	3 1/2"	.188	195 MPH	120 MPH	8' x 12'	317 lbs.
EC45	45'	49'	8"	3 1/2"	.188	154 MPH	107 MPH	8' x 12'	342 lbs.
EC50	50'	55'	10"	4"	.188	182 MPH	115 MPH	10' x 15'	416 lbs
EC60	60'	66'	12"	4"	.250	192 MPH	120 MPH	12' x 18'	665 lbs.
EC70	70'	77'	12"	4"	.250	144 MPH	105 MPH	15' x 25'	760 lbs.
EC80	80'	88'	12"	4"	.375	140 MPH	105 MPH	20' x 30'	1020 lbs.



All flagpole models marked with an asterisk (*) are now available in both one and two section styles; please specify when placing your order. If not specified, one section pole(s) will be shipped.

SATIN

MODEL	ITEM #	1-2	3-6	7+
EC20	320113	\$1,100	\$1,050	\$1,000
EC25	320114	1,400	1,350	1,280
EC30*	320115	1,600	1,540	1,460
EC35*	320116	2,160	2,050	1,950
EC40	320117	2,900	2,770	2,630
EC45	320118	3,250	3,090	2,930
EC50	320119	4,400	4,200	3,990
EC60	320120	8,500	8,080	7,660
EC70	320121	9,580	9,100	8,620
EC80	320122	12,000	11,500	10,900

CLEAR ANODIZED

MODEL	ITEM #	1-2	3-6	7+
EC20	320123	\$1,250	\$1,190	\$1,130
EC25	320124	1,600	1,520	1,440
EC30*	320125	1,840	1,750	1,650
EC35*	320126	2,450	2,330	2,200
EC40	320127	3,290	3,120	2,950
EC45	320128	3,650	3,460	3,280
EC50	320129	5,100	4,850	4,590
EC60	320130	9,120	8,660	8,200
EC70	320131	10,290	9,780	9,260
EC80	320132	13,100	12,450	11,800

BRONZE ANODIZED

MODEL	ITEM #	1-2	3-6	7+
EC20	320133	\$1,280	\$1,220	\$1,150
EC25	320134	1,630	1,550	1,460
EC30*	320135	1,890	1,790	1,700
EC35*	320136	2,520	2,390	2,260
EC40	320137	3,380	3,210	3,040
EC45	320138	3,750	3,560	3,380
EC50	320139	5,260	5,000	4,730
EC60	320140	9,320	8,860	8,390
EC70	320141	10,530	10,000	9,480
EC80	320142	13,380	12,700	12,000

BLACK ANODIZED

MODEL	ITEM #	1-2	3-6	7+
EC20	320143	\$1,330	\$1,260	\$1,190
EC25	320144	1,720	1,640	1,550
EC30*	320145	2,000	1,900	1,800
EC35*	320146	2,640	2,500	2,370
EC40	320147	3,560	3,380	3,200
EC45	320148	3,950	3,760	3,560
EC50	320149	5,530	5,250	4,980
EC60	320150	9,660	9,180	8,700
EC70	320151	10,940	10,390	9,850
EC80	320152	13,840	13,150	12,460

Add \$30.00 to any of the flagpole pricing above for double cleat-double halyard flagpoles.

All poles on pages 127 through 151 can be mixed or matched to achieve the higher quantity pricing, but shipment must be made to the same location at the same time.

OUTDOOR FLAGPOLES

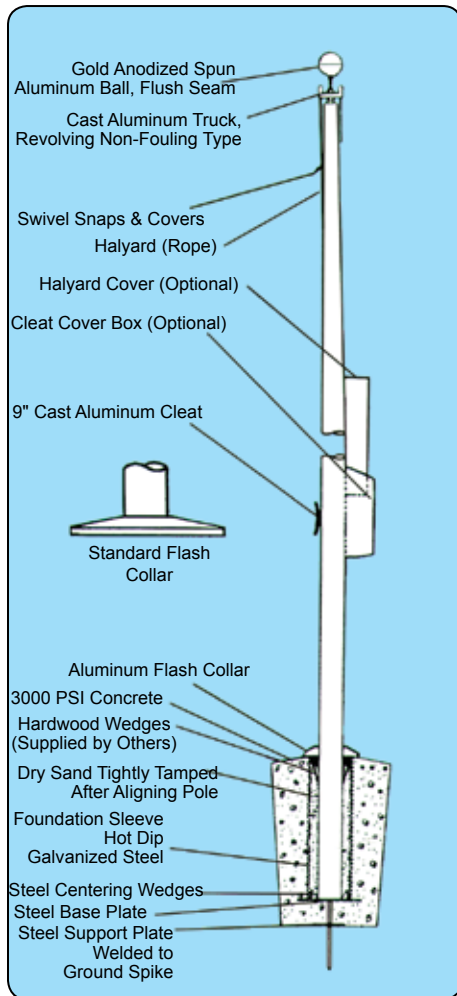
ECONOMY EXTRA SERIES

External Halyard Ground Set Cone Tapered Aluminum Flagpoles

STANDARD ACCESSORIES

- Gold anodized aluminum ball ornament
- Cast aluminum revolving truck w/pulley
- Solid braided polypropylene halyard
- Swivel flag snaps w/vinyl snap covers
- Cast aluminum cleat with mounting screws
- Spun aluminum flash collar
- Galvanized steel foundation sleeve

MODEL	EXPOSED HEIGHT	OVERALL LENGTH	BUTT DIA.	TOP DIA.	WALL	MAX. UNFLAGGED WIND SPEED	MAX. FLAGGED WIND SPEED	MAX. SUGGESTED FLAG SIZE	SHIPPING WEIGHT
ECX20	20'	23'	5"	3"	.125	255 MPH	120+ MPH	5' x 8'	92 lbs
ECX25	25'	27'	5"	3"	.125	137 MPH	105 MPH	5' x 8'	113 lbs.
ECX30	30'	33'	5"	3"	.125	104 MPH	85 MPH	5' x 8'	128 lbs.
ECX35	35'	38 1/2'	6"	3 1/2"	.156	119 MPH	91 MPH	6' x 10'	190 lbs.
ECX40	40'	44'	7"	3 1/2"	.156	122 MPH	91 MPH	8' x 12'	267 lbs.
ECX50	50'	55'	8"	3 1/2"	.188	118 MPH	90 MPH	10' x 15'	360 lbs
ECX60	60'	66'	10"	4"	.188	122 MPH	90 MPH	12' x 18'	520 lbs.
ECX70	70'	77'	10"	4"	.312	127 MPH	91 MPH	15' x 25'	695 lbs.



All flagpole models marked with an asterisk (*) are now available in both one and two section styles; please specify when placing your order. If not specified, one section pole(s) will be shipped.

SATIN

MODEL	ITEM #	1-2	3-6	7+
ECX20	320193	\$900	\$860	\$810
ECX25	320194	950	900	850
ECX30*	320195	1,070	1,020	960
ECX35*	320196	1,630	1,550	1,460
ECX40	320197	2,460	2,340	2,210
ECX50	320198	3,490	3,310	3,140
ECX60	320199	5,060	4,890	4,550
ECX70	320200	8,110	7,710	7,300

CLEAR ANODIZED

MODEL	ITEM #	1-2	3-6	7+
ECX20	320201	\$1,050	\$1,000	\$950
ECX25	320202	1,120	1,064	1,000
ECX30*	320203	1,260	1,200	1,170
ECX35*	320204	1,890	1,790	1,700
ECX40	320205	2,770	2,630	2,490
ECX50	320206	3,940	3,740	3,550
ECX60	320207	5,690	5,410	5,120
ECX70	320208	8,840	8,400	7,950

BRONZE ANODIZED

MODEL	ITEM #	1-2	3-6	7+
ECX20	320209	\$1,080	\$1,030	\$970
ECX25	320210	1,150	1,090	1,040
ECX30*	320211	1,280	1,220	1,150
ECX35*	320212	1,940	1,840	1,740
ECX40	320213	2,860	2,720	2,570
ECX50	320214	4,060	3,860	3,660
ECX60	320215	5,870	5,580	5,280
ECX70	320216	9,050	8,590	8,140

BLACK ANODIZED

MODEL	ITEM #	1-2	3-6	7+
ECX20	320217	\$1,130	\$1,070	\$1,010
ECX25	320218	1,220	1,160	1,090
ECX30*	320219	1,370	1,310	1,240
ECX35*	320220	2,060	1,960	1,850
ECX40	320221	2,990	2,840	2,680
ECX50	320222	4,250	4,040	3,830
ECX60	320223	6,160	5,850	5,540
ECX70	320224	9,390	8,920	8,450

Add \$30.00 to any of the flagpole pricing above for double cleat-double halyard flagpoles.

SPECIAL BUDGET SERIES

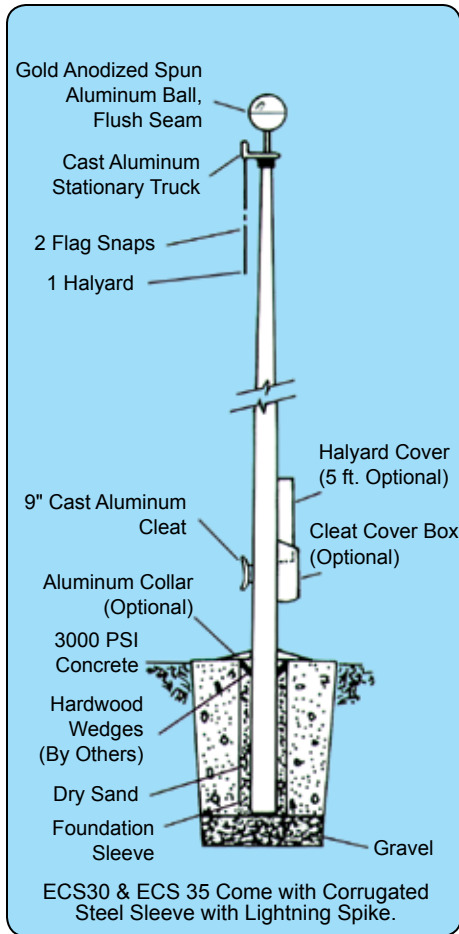
External Halyard Ground Set Cone Tapered Aluminum Flagpoles

STANDARD ACCESSORIES

- Gold anodized aluminum ball ornament
- Cast aluminum stationary truck w/pulley (ECS35 has a revolving truck as standard)
- Solid braided polypropylene halyard
- Cast aluminum cleat with mounting screws
- Swivel flag snaps w/vinyl covers on poles with a 3 1/2", 4" or 5" butt diameter; nylon flag snaps on poles with a 2 3/8" or 3" butt diameter
- PVC foundation sleeve (ECS30 & ECS35 poles have a galvanized steel sleeve as standard)
- Flash collar not included as standard equipment for this series

MODEL	EXPOSED HEIGHT	OVERALL LENGTH	BUTT DIA.	TOP DIA.	WALL	MAX. UNFLAGGED WIND SPEED	MAX. FLAGGED WIND SPEED	MAX. SUGGESTED FLAG SIZE	SHIPPING WEIGHT
ECM15	15'	17'	2 3/8"	1 7/8"	.140	145 MPH	101 MPH	3' x 5'	40 lbs
ECM20	20'	22'	2 3/8"	1 7/8"	.140	101 MPH	76 MPH	3' x 5'	45 lbs.
ECSS15	15'	17'	3"	1 7/8"	.125	170 MPH	120 MPH	3' x 5'	45 lbs.
ECSS20	20'	22'	3"	1 7/8"	.125	118 MPH	85 MPH	5' x 8'	50 lbs.
ECSS25	25'	27'	3"	1 7/8"	.125	89 MPH	50 MPH	5' x 8'	55 lbs.
ECS20	20'	22'	3 1/2"	2 3/8"	.125	128 MPH	96 MPH	5' x 8'	55 lbs
ECS25	25'	27'	3 1/2"	2 3/8"	.125	95 MPH	77 MPH	5' x 8'	60 lbs.
ECS30	30'	33'	4"	2 3/8"	.125	88 MPH	50 MPH	6' x 10'	104 lbs.
ECS35*	35'	38 1/2'	5"	3"	.156	92 MPH	76 MPH	6' x 10'	150 lbs.

*Increased wall thickness for greater strength.



All flagpole models marked with an asterisk (*) are now available in both one and two section styles; please specify when placing your order. If not specified, one section pole(s) will be shipped.

SATIN

MODEL	ITEM #	1-2	3-6	7+
ECM15	320257	\$430	\$410	\$390
ECM20	320258	450	436	410
ECSS15	320259	320	300	288
ECSS20	320260	390	370	350
ECSS25	320261	460	430	410
ECS20	320262	550	520	490
ECS25	320263	630	600	570
ECS30*	320264	690	660	620
ECS35*	320265	1,080	1,030	970

CLEAR ANODIZED

MODEL	ITEM #	1-2	3-6	7+
ECM15	320266	\$510	\$490	\$460
ECM20	320267	550	530	500
ECSS15	320268	400	380	360
ECSS20	320269	480	450	430
ECSS25	320270	570	540	510
ECS20	320271	670	640	600
ECS25	320272	770	730	690
ECS30*	320373	860	820	770
ECS35*	320274	1,290	1,230	1,160

BRONZE ANODIZED

MODEL	ITEM #	1-2	3-6	7+
ECM15	320275	\$530	\$500	\$470
ECM20	320276	580	550	520
ECSS15	320277	420	400	380
ECSS20	320278	500	480	450
ECSS25	320279	600	570	550
ECS20	320280	700	660	630
ECS25	320281	790	750	710
ECS30*	320282	900	850	810
ECS35*	320283	1,350	1,280	1,220

BLACK ANODIZED

MODEL	ITEM #	1-2	3-6	7+
ECM15	320284	\$550	\$530	\$500
ECM20	320285	600	570	540
ECSS15	320286	440	420	400
ECSS20	320287	540	510	490
ECSS25	320288	640	610	570
ECS20	320289	720	680	650
ECS25	320290	810	770	730
ECS30*	320291	960	910	860
ECS35*	320292	1,430	1,360	1,290

THREE SECTION ESSS20 (CAN BE SHIPPED UPS)

MODEL	ITEM #	FINISH	1-2	3-6	7+
SS20TS	320329	SATIN	\$440	\$420	\$400
SS20TS	320330	CLEAR	520	500	470
SS20TS	320331	BRONZE	550	530	500
SS20TS	320332	BLACK	580	550	520

FOUR SECTION ESSS25 (CAN BE SHIPPED UPS)

MODEL	ITEM #	FINISH	1-2	3-6	7+
SS25FS	323976	SATIN	\$530	\$500	\$470
SS25FS	323977	CLEAR	650	610	570
SS25FS	323978	BRONZE	670	630	590
SS25FS	323979	BLACK	710	670	630

Add \$30.00 to any of the flagpole pricing above for double cleat-double halyard flagpoles. Add \$23.00 for flash collar

All poles on pages 127 through 151 can be mixed or matched to achieve the higher quantity pricing, but shipment must be made to the same location at the same time.

OUTDOOR FLAGPOLES

ATLAS SERIES

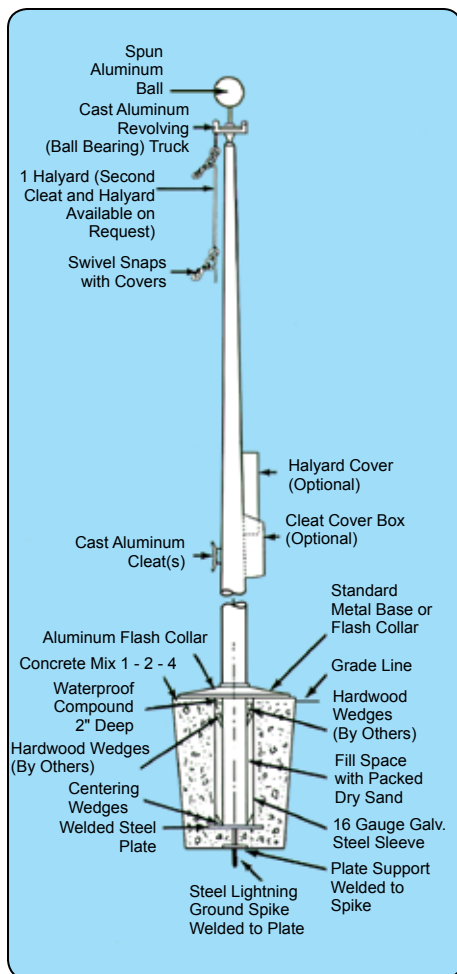
External Halyard Ground Set Cone Tapered Aluminum Flagpoles

STANDARD ACCESSORIES

- Gold anodized aluminum ball ornament
- Cast aluminum revolving truck with pulley (ECSA20 & ECSA25 poles have a stationary truck as standard)
- Solid braided polypropylene halyard
- Swivel flag snaps w/vinyl snap covers
- Cast aluminum cleat with mounting screws
- Spun aluminum flash collar
- Galvanized steel foundation sleeve

MODEL	EXPOSED HEIGHT	OVERALL LENGTH	BUTT DIA.	TOP DIA.	WALL	MAX. UNFLAGGED WIND SPEED	MAX. FLAGGED WIND SPEED	MAX. SUGGESTED FLAG SIZE	SHIPPING WEIGHT
ECSA20	20'	22'	4"	2 ³ / ₈ "	.125	152 MPH	110 MPH	5' x 8'	80 lbs
ECSA25	25'	27'	4"	2 ³ / ₈ "	.125	113 MPH	88 MPH	5' x 8'	94 lbs.
ECXA25	25'	27'	5"	3"	.156	183 MPH	120 MPH	5' x 8'	123 lbs.
ECXA30	30'	33'	5"	3"	.156	119 MPH	95 MPH	6' x 10'	138 lbs.
ECA30	30'	33'	6"	3 ¹ / ₂ "	.156	184 MPH	115 MPH	6' x 10'	185 lbs.
ECSA35*	35'	38 ¹ / ₂ '	5"	3"	.188	104 MPH	86 MPH	6' x 10'	160 lbs.
ECA35	35'	38 ¹ / ₂ '	7"	3 ¹ / ₂ "	.156	175 MPH	114 MPH	6' x 10'	245 lbs
ECA40	40'	44'	8"	3 ¹ / ₂ "	.156	171 MPH	110 MPH	8' x 12'	300 lbs.
ECXA60	60'	66'	10"	4"	.250	150 MPH	106 MPH	12' x 18'	585 lbs.

*Increased wall thickness for greater strength.



Note: the ECSA20 and ECSA25 flagpoles are not supplied with a plate support or centering wedges.

All flagpole models marked with an asterisk (*) are now available in both one and two section styles; please specify when placing your order. If not specified, one section pole(s) will be shipped.

SATIN

MODEL	ITEM #	1-2	3-6	7+
ECSA20	320337	\$620	\$590	\$560
ECSA25	320338	660	620	590
ECXA25	320339	1,140	1,080	1,020
ECXA30*	320340	1,270	1,210	1,150
ECA30*	320341	1,570	1,500	1,420
ECSA35	320342	1,430	1,360	1,280
ECA35*	320343	1,870	1,770	1,680
ECA40	320344	2,740	2,610	2,460
ECXA60	320345	6,450	6,140	5,810

CLEAR ANODIZED

MODEL	ITEM #	1-2	3-6	7+
ECSA20	320346	\$750	\$710	\$670
ECSA25	320347	800	760	730
ECXA25	320348	1,290	1,230	1,160
ECXA30*	320349	1,440	1,370	1,290
ECA30*	320350	1,790	1,700	1,610
ECSA35	320351	2,020	1,570	1,490
ECA35*	320352	2,160	2,050	1,940
ECA40	320353	3,100	2,940	2,790
ECXA60	320354	7,090	6,740	6,380

BRONZE ANODIZED

MODEL	ITEM #	1-2	3-6	7+
ECSA20	320355	\$780	\$740	\$700
ECSA25	320356	840	790	750
ECXA25	320357	1,350	1,280	1,220
ECXA30*	320358	1,500	1,430	1,360
ECA30*	320359	1,840	1,750	1,670
ECSA35	320360	1,690	1,600	1,520
ECA35*	320361	2,210	2,100	2,000
ECA40	320362	3,200	3,040	2,900
ECXA60	320363	7,240	6,880	6,540

BLACK ANODIZED

MODEL	ITEM #	1-2	3-6	7+
ECSA20	320364	\$820	\$780	\$740
ECSA25	320365	890	850	800
ECXA25	320366	1,380	1,310	1,250
ECXA30*	320367	1,540	1,470	1,390
ECA30*	320368	1,920	1,830	1,730
ECSA35	320369	1,780	1,690	1,600
ECA35*	320370	2,330	2,220	2,100
ECA40	320371	3,340	3,170	3,000
ECXA60	320372	7,550	7,170	6,790

Add \$30.00 to any of the flagpole pricing above for double cleat-double halyard flagpoles.

VANGUARD SERIES

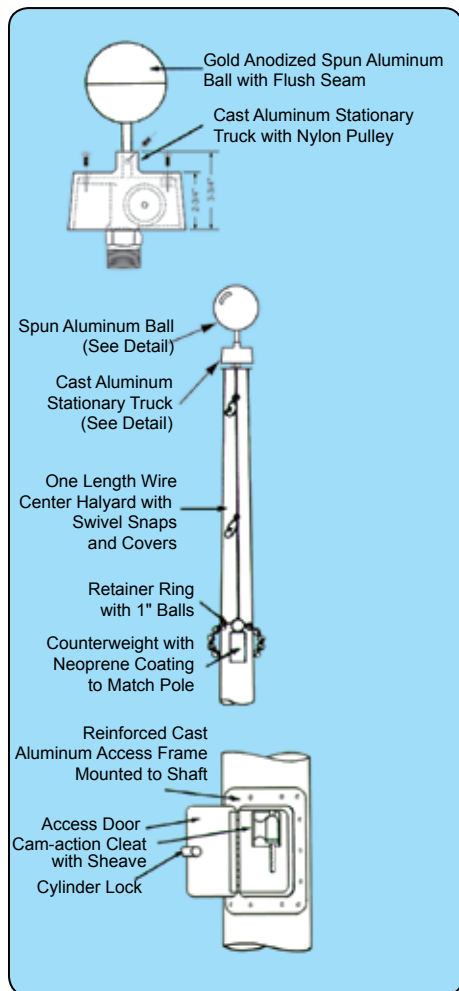
Internal Halyard Ground Set Cone Tapered Aluminum Flagpoles

The Vanguard series of flagpoles combine the security of a concealed halyard system with the simplicity of a rope halyard. While lacking the convenience and sophistication of a winch operated system, the Vanguard provides an intelligent, economical alternative to deluxe concealed halyard systems. The Vanguard's wire center halyard runs through a stationary truck and is secured in a cam-action cleat located inside the flagpole behind a lockable access door. All fittings for a complete installation are included: gold anodized aluminum ball ornament, swivel flag snaps with vinyl covers, retaining ring, counterweight, a stainless steel quick link to make all necessary connections, spun aluminum flash collar and galvanized steel foundation sleeve.

MODEL	EXPOSED HEIGHT	OVERALL LENGTH	BUTT DIA.	TOP DIA.	WALL	MAX. UNFLAGGED WIND SPEED	MAX. FLAGGED WIND SPEED	MAX. SUGGESTED FLAG SIZE	SHIPPING WEIGHT
ECXV20	20'	23'	5"	3"	.125	250 MPH	120+ MPH	5' x 8'	92 lbs
ECV20	20'	23'	5"	3"	.188	315 MPH	120+ MPH	5' x 8'	118 lbs.
ECXV25	25'	27'	5"	3"	.125	144 MPH	104 MPH	5' x 8'	113 lbs.
ECXAV25	25'	27'	5"	3"	.156	192 MPH	117 MPH	5' x 8'	123 lbs.
ECV25	25'	27'	6"	3 1/2"	.188	222 MPH	120+ MPH	5' x 8'	160 lbs.
ECXV30	30'	33'	5"	3"	.125	110 MPH	75 MPH	5' x 8'	128 lbs.
ECXAV30	30'	33'	5"	3"	.156	119 MPH	91 MPH	5' x 8'	138 lbs
ECAV30	30'	33'	6"	3 1/2"	.156	191 MPH	117 MPH	5' x 8'	185 lbs.
ECV30	30'	33'	6"	3 1/2"	.188	221 MPH	120+ MPH	5' x 8'	195 lbs.
ECSAV35*	35'	38 1/2'	5"	3"	.188	104 MPH	86 MPH	6' x 10'	160 lbs.
ECXV35	35'	38 1/2'	6"	3 1/2"	.156	122 MPH	91 MPH	6' x 10'	190 lbs.
ECAV35	35'	38 1/2'	7"	3 1/2"	.156	179 MPH	117 MPH	6' x 10'	245 lbs.
ECV35	35'	38 1/2'	7"	3 1/2"	.188	200 MPH	120 MPH	6' x 10'	255 lbs.
ECXV40	40'	44'	7"	3 1/2"	.156	125 MPH	91 MPH	8' x 12'	267 lbs.
ECAV40	40'	44'	8"	3 1/2"	.156	171 MPH	110 MPH	8' x 12'	300 lbs.
ECV40	40'	44'	8"	3 1/2"	.188	195 MPH	120 MPH	8' x 12'	317 lbs.

*Increased wall thickness for greater strength.

All flagpole models marked with an asterisk (*) are now available in both one and two section styles; please specify when placing your order. If not specified, one section pole(s) will be shipped.



Add \$90.00 for a revolving truck on any Vanguard Flagpole.

SATIN

MODEL	ITEM #	1-2	3-6	7+
ECXV20	320409	\$1,130	\$1,070	\$1,020
ECV20	320410	1,320	1,250	1,180
ECXV25	320411	1,260	1,200	1,140
ECXAV25	320412	1,430	1,360	1,280
ECV25	320413	1,870	1,770	1,680
ECXV30*	320414	1,380	1,320	1,250
ECXAV30*	320415	1,560	1,490	1,410
ECAV30	320416	1,810	1,720	1,630
ECV30	320417	1,920	1,830	1,730
ECSAV35	320418	1,770	1,680	1,590
ECXV35	320419	1,920	1,830	1,730
ECAV35	320420	2,170	2,060	1,960
ECV35	320421	2,470	2,350	2,230
ECXV40	320422	2,740	2,610	2,470
ECAV40	320423	3,130	2,980	2,820
ECV40	320424	3,370	3,200	3,030

CLEAR ANODIZED

MODEL	ITEM #	1-2	3-6	7+
ECXV20	320425	\$1,270	\$1,210	\$1,150
ECV20	320426	1,480	1,400	1,330
ECXV25	320427	1,420	1,350	1,280
ECXAV25	320428	1,590	1,510	1,430
ECV25	320429	1,990	1,890	1,790
ECXV30*	320430	1,560	1,490	1,410
ECXAV30*	320431	1,740	1,650	1,560
ECAV30	320432	2,050	1,940	1,840
ECV30	320433	2,150	2,040	1,930
ECSAV35	320434	1,990	1,890	1,790
ECXV35	320435	2,190	2,080	1,970
ECAV35	320436	2,450	2,330	2,200
ECV35	320437	2,740	2,610	2,470
ECXV40	320438	3,070	2,920	2,760
ECAV40	320439	3,490	3,320	3,140
ECV40	320440	3,740	3,550	3,370

BRONZE ANODIZED

MODEL	ITEM #	1-2	3-6	7+
ECXV20	320441	\$1,310	\$1,250	\$1,180
ECV20	320442	1,500	1,430	1,350
ECXV25	320443	1,470	1,390	1,320
ECXAV25	320444	1,640	1,550	1,470
ECV25	320445	2,020	1,920	1,820
ECXV30*	320446	1,610	1,530	1,450
ECXAV30*	320447	1,790	1,700	1,620
ECAV30	320448	2,070	1,960	1,860
ECV30	320449	2,190	2,080	1,970
ECSAV35	320450	2,030	1,930	1,830
ECXV35	320451	2,240	2,120	2,010
ECAV35	320452	2,530	2,400	2,280
ECV35	320453	2,830	2,690	2,550
ECXV40	320454	3,140	2,990	2,830
ECAV40	320455	3,590	3,410	3,230
ECV40	320456	3,830	3,640	3,450

BLACK ANODIZED

MODEL	ITEM #	1-2	3-6	7+
ECXV20	320457	\$1,350	\$1,280	\$1,220
ECV20	320458	1,540	1,460	1,380
ECXV25	320459	1,530	1,450	1,370
ECXAV25	320460	1,700	1,610	1,530
ECV25	320461	2,100	1,990	1,890
ECXV30*	320462	1,680	1,600	1,520
ECXAV30*	320463	1,860	1,770	1,680
ECAV30	320464	2,170	2,060	1,960
ECV30	320465	2,290	2,180	2,070
ECSAV35	320466	2,120	2,010	1,900
ECXV35	320467	2,350	2,230	2,110
ECAV35	320468	2,640	2,500	2,380
ECV35	320469	2,940	2,800	2,650
ECXV40	320470	3,280	3,110	2,950
ECAV40	320471	3,740	3,550	3,370
ECV40	320472	3,970	3,770	3,580

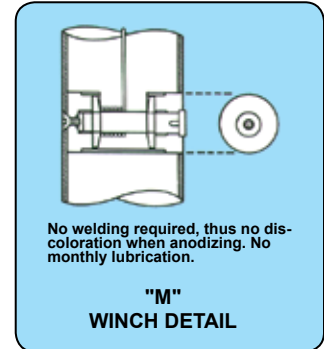
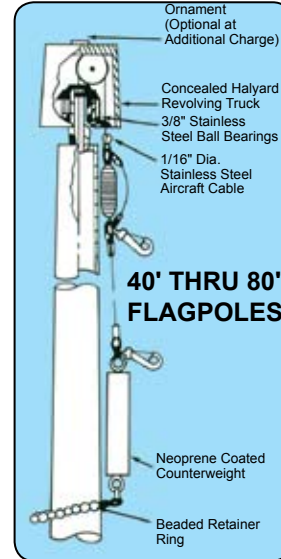
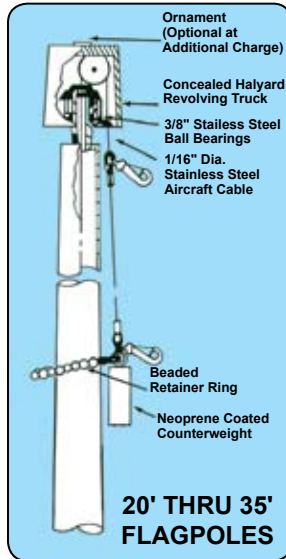
All of the flagpoles listed on this page can be supplied with a deluxe internal halyard system including an "M" winch and revolving truck; see pages 132 - 133 for pricing.

OUTDOOR FLAGPOLES

DELUXE IH SERIES

Internal Halyard Ground Set Cone Tapered Aluminum Flagpoles

These deluxe internal halyard flagpoles contain a winch mounted inside the flagpole shaft, operable only with a removable crank handle. As the stainless steel cable unwinds from the winch, it passes up through the inside of the flagpole shaft, over the truck sheave to the outside of the shaft, where the retaining ring provides a sliding anchor. A counterweight, heavily coated with neoprene, attached to the retaining ring, allows the halyard to be lowered for fastening or removing the flag. The halyard is then raised completely out of reach of vandals. The improved winch is gearless and self-locking at any point, eliminating the need for a separate brake. This direct drive winch provides rapid raising and lowering of the flag with little effort. This new, improved design does not require any welding, thus avoiding discoloration when an anodized finish is desired. No monthly lubrication is needed and this winch system is easily adaptable to existing on-site flagpoles.



MODEL	EXPOSED HEIGHT	OVERALL LENGTH	BUTT DIA.	TOP DIA.	WALL	MAX. UNFLAGGED WIND SPEED	MAX. FLAGGED WIND SPEED	MAX. SUGGESTED FLAG SIZE	SHIPPING WEIGHT
ECX20IH	20'	23'	5"	3"	.125	250 MPH	120+ MPH	5' x 8'	92 lbs.
EC20IH	20'	23'	5"	3"	.188	315 MPH	120+ MPH	5' x 8'	118 lbs.
ECX25IH	25'	27'	5"	3"	.125	144 MPH	104 MPH	5' x 8'	113 lbs.
ECXA25IH	25'	27'	5"	3"	.156	192 MPH	117 MPH	5' x 8'	123 lbs.
EC25IH	25'	27'	6"	3 1/2"	.188	222 MPH	120+ MPH	5' x 8'	150 lbs.
ECX30IH	30'	33'	5"	3"	.125	110 MPH	75 MPH	5' x 8'	128 lbs.
ECXA30IH	30'	33'	5"	3"	.156	119 MPH	91 MPH	5' x 8'	138 lbs.
ECA30IH	30'	33'	6"	3 1/2"	.156	191 MPH	117 MPH	5' x 8'	185 lbs.
EC30IH	30'	33'	6"	3 1/2"	.188	221 MPH	120+ MPH	5' x 8'	195 lbs.
ECSA35IH*	35'	38 1/2'	5"	3"	.188	104 MPH	86 MPH	6' x 10'	160 lbs.
ECX35IH	35'	38 1/2'	6"	3 1/2"	.156	122 MPH	91 MPH	6' x 10'	190 lbs.
ECA35IH	35'	38 1/2'	7"	3 1/2"	.156	179 MPH	117 MPH	6' x 10'	245 lbs.
EC35IH	35'	38 1/2'	7"	3 1/2"	.188	200 MPH	120 MPH	6' x 10'	255 lbs.
ECX40IH	40'	44'	7"	3 1/2"	.156	125 MPH	91 MPH	8' x 12'	267 lbs.
ECA40IH	40'	44'	8"	3 1/2"	.156	171 MPH	110 MPH	8' x 12'	300 lbs.
EC40IH	40'	44'	8"	3 1/2"	.188	195 MPH	120 MPH	8' x 12'	317 lbs.
EC45IH	45'	49'	8"	3 1/2"	.188	154 MPH	107 MPH	8' x 12'	342 lbs.
ECX50IH	50'	55'	8"	3 1/2"	.188	118 MPH	90 MPH	10' x 15'	360 lbs.
EC50IH	50'	55'	10"	4"	.188	182 MPH	115 MPH	10' x 15'	410 lbs.
ECX60IH	60'	66'	10"	4"	.188	122 MPH	90 MPH	12' x 18'	520 lbs.
ECXA60IH	60'	66'	10"	4"	.250	150 MPH	106 MPH	12' x 18'	585 lbs.
EC60IH	60'	66'	12"	4"	.250	192 MPH	120 MPH	12' x 18'	665 lbs.
ECX70IH	70'	77'	10"	4"	.312	127 MPH	91 MPH	15' x 25'	695 lbs.
EC70IH	70'	77'	12"	4"	.250	144 MPH	105 MPH	15' x 25'	760 lbs.
EC80IH	80'	88'	12"	4"	.375	140 MPH	105 MPH	20' x 30'	1020 lbs.

*Increased wall thickness for greater strength.

DELUXE IH SERIES

Internal Halyard Ground Set Cone Tapered Aluminum Flagpoles

All flagpole models marked with an asterisk (*) are now available in both one and two section styles; please specify when placing your order. If not specified, one section pole(s) will be shipped.

SATIN

MODEL	ITEM #	1-2	3-6	7+
ECX20IH	320473	\$1,470	\$1,400	\$1,330
EC20IH	320474	1,670	1,590	1,510
ECX25IH	320475	1,610	1,530	1,450
ECXA25IH	320476	1,780	1,690	1,600
EC25IH	320477	2,500	2,380	2,260
ECX30IH*	320478	1,730	1,640	1,560
ECXA30IH*	320479	1,910	1,820	1,720
ECA30IH*	320480	2,910	2,760	2,620
EC30IH*	320481	2,990	2,840	2,690
ECSA35IH	320482	2,110	2,010	1,900
ECX35IH*	320483	2,970	2,820	2,670
ECA35IH*	320484	3,130	2,980	2,820
EC35IH*	320485	3,500	3,330	3,150
ECX40IH	320486	3,770	3,580	3,390
ECA40IH	320487	4,250	4,040	3,830
EC40IH	320488	4,390	4,170	3,950
EC45IH	320489	4,590	4,360	4,130
ECX50IH	320490	4,800	4,560	4,320
EC50IH	320491	5,780	5,480	5,200
ECX60IH	320492	6,770	6,430	6,090
ECXA60IH	320493	8,360	7,940	7,520
EC60IH	320494	10,300	9,790	9,270
ECX70IH	320495	9,420	8,950	8,480
EC70IH	320496	11,300	10,700	10,100
EC80IH	320497	14,600	13,700	13,000

CLEAR ANODIZED

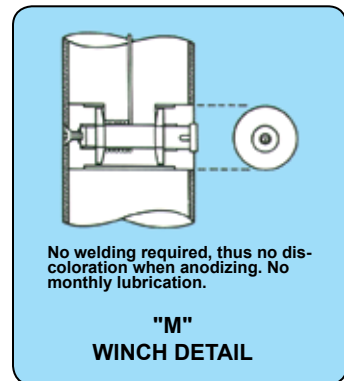
MODEL	ITEM #	1-2	3-6	7+
ECX20IH	320498	\$1,620	\$1,540	\$1,450
EC20IH	320499	1,810	1,720	1,630
ECX25IH	320500	1,760	1,680	1,590
ECXA25IH	320501	1,930	1,840	1,740
EC25IH	320502	2,680	2,550	2,420
ECX30IH*	320503	1,910	1,810	1,720
ECXA30IH*	320504	2,090	1,990	1,880
ECA30IH*	320505	3,120	2,960	2,810
EC30IH*	320506	3,210	3,050	2,880
ECSA35IH	320507	2,340	2,220	2,100
ECX35IH*	320508	3,210	3,050	2,890
ECA35IH*	320509	3,420	3,260	3,090
EC35IH*	320510	3,790	3,600	3,410
ECX40IH	320511	4,090	3,890	3,680
ECA40IH	320512	4,610	4,390	4,150
EC40IH	320513	4,740	4,510	4,270
EC45IH	320514	5,000	4,760	4,510
ECX50IH	320515	5,290	5,040	4,770
EC50IH	320516	6,360	6,050	5,730
ECX60IH	320517	7,400	7,040	6,660
ECXA60IH	320518	8,990	8,540	8,090
EC60IH	320519	11,060	10,510	9,950
ECX70IH	320520	10,160	9,650	9,150
EC70IH	320521	12,240	11,620	11,020
EC80IH	320522	15,590	14,800	14,030

BRONZE ANODIZED

MODEL	ITEM #	1-2	3-6	7+
ECX20IH	320523	\$1,640	\$1,560	\$1,470
EC20IH	320524	1,830	1,740	1,650
ECX25IH	320525	1,810	1,720	1,630
ECXA25IH	320526	1,980	1,880	1,780
EC25IH	320527	2,720	2,580	2,450
ECX30IH*	320528	1,960	1,860	1,750
ECXA30IH*	320529	2,150	2,040	1,930
ECA30IH*	320530	3,170	3,010	2,850
EC30IH*	320531	3,250	3,090	2,930
ECSA35IH	320532	2,380	2,260	2,150
ECX35IH*	320533	3,280	3,110	2,950
ECA35IH*	320534	3,500	3,330	3,150
EC35IH*	320535	3,860	3,670	3,470
ECX40IH	320536	4,170	3,960	3,760
ECA40IH	320537	4,710	4,480	4,240
EC40IH	320538	4,830	4,590	4,350
EC45IH	320539	5,120	4,860	4,610
ECX50IH	320540	5,400	5,140	4,870
EC50IH	320541	6,510	6,180	5,860
ECX60IH	320542	7,640	7,260	6,870
ECXA60IH	320543	9,250	8,780	8,320
EC60IH	320544	11,360	10,790	10,230
ECX70IH	320545	10,470	9,950	9,420
EC70IH	320546	12,600	11,970	11,340
EC80IH	320547	16,000	15,200	14,300

BLACK ANODIZED

MODEL	ITEM #	1-2	3-6	7+
ECX20IH	320548	\$1,700	\$1,620	\$1,530
EC20IH	320549	1,890	1,790	1,700
ECX25IH	320550	1,870	1,770	1,680
ECXA25IH	320551	2,030	1,930	1,830
EC25IH	320552	2,770	2,630	2,490
ECX30IH*	320553	2,030	1,930	1,830
ECXA30IH*	320554	2,210	2,100	1,990
ECA30IH*	320555	3,270	3,100	2,940
EC30IH*	320556	3,340	3,180	3,010
ECSA35IH	320557	2,470	2,350	2,220
ECX35IH*	320558	3,390	3,220	3,050
ECA35IH*	320559	3,600	3,420	3,240
EC35IH*	320560	3,970	3,770	3,570
ECX40IH	320561	4,310	4,090	3,880
ECA40IH	320562	4,860	4,610	4,360
EC40IH	320563	4,980	4,730	4,480
EC45IH	320564	5,280	5,020	4,760
ECX50IH	320565	5,580	5,300	5,020
EC50IH	320566	6,750	6,410	6,080
ECX60IH	320567	7,850	7,450	7,070
ECXA60IH	320568	9,440	8,970	8,500
EC60IH	320569	11,600	11,000	10,400
ECX70IH	320570	10,680	10,140	9,600
EC70IH	320571	12,800	12,200	11,600
EC80IH	320572	16,200	15,400	14,600

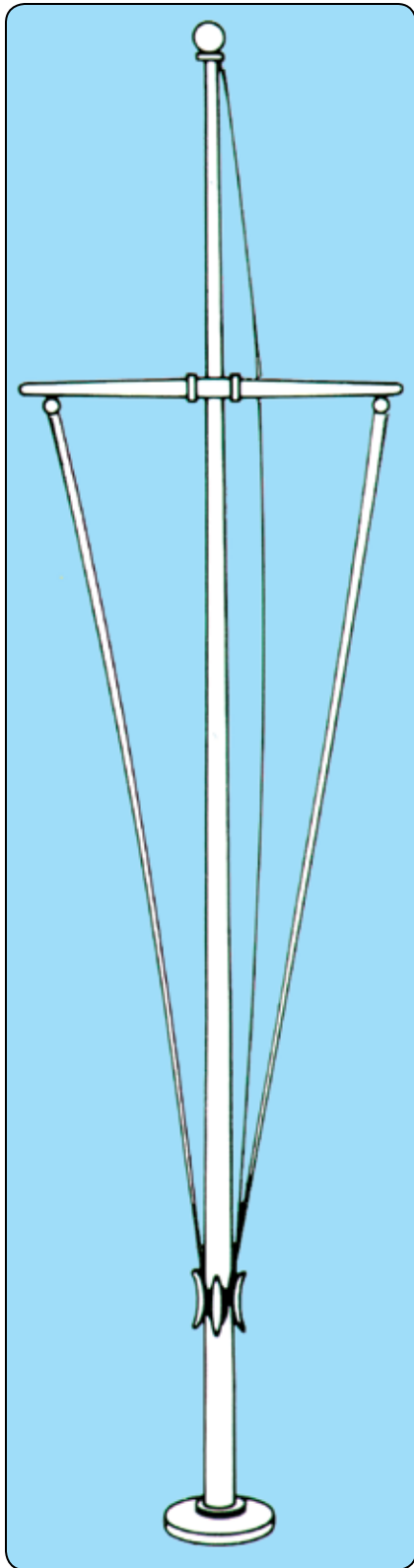


SINGLE MAST NAUTICAL SERIES WITH YARDARM

External Halyard Ground Set Cone Tapered Aluminum Flagpoles

STANDARD ACCESSORIES

- Gold anodized aluminum ball ornament
- Cast aluminum revolving truck w/pulley
- Aluminum yardarm with pulleys & mounting hardware
- 3 lengths of solid braided polypropylene halyard
- Swivel flag snaps w/vinyl snap covers
- 3 Cast aluminum cleats with mounting screws
- Spun aluminum flash collar
- Galvanized steel foundation sleeve



MODEL	EXPOSED HEIGHT	OVERALL LENGTH	BUTT DIA.	TOP DIA.	WALL	YARDARM DIMENSIONS			SHIPPING WEIGHT
						LENGTH	CENTER	ENDS	
ECXP20-Y	20'	23'	5"	3"	.125	6'	3 1/2"	2"	100 lbs.
ECP20-Y	20'	23'	5"	3"	.188	6'	3 1/2"	2"	126 lbs.
ECXP25-Y	25'	27'	5"	3"	.125	6 1/2'	3 1/2"	2"	123 lbs.
ECXAP25-Y	25'	27'	5"	3"	.156	6 1/2'	3 1/2"	2"	133 lbs.
ECP25-Y	25'	27'	5 1/2"	3 1/2"	.188	6 1/2'	3 1/2"	2"	160 lbs.
ECXP30-Y	30'	33'	5"	3"	.125	8 1/2'	3 1/2"	2"	138 lbs.
ECXAP30-Y	30'	33'	5"	3"	.156	8 1/2'	3 1/2"	2"	148 lbs.
ECAP30-Y	30'	33'	6"	3 1/2"	.156	8 1/2'	3 1/2"	2"	195 lbs.
ECP30-Y	30'	33'	6"	3 1/2"	.188	8 1/2'	3 1/2"	2"	205 lbs.
ECSAP35-Y*	35'	38 1/2'	5"	3"	.188	9 1/2'	3 1/2"	2"	175 lbs.
ECXP35-Y	35'	38 1/2'	6"	3 1/2"	.156	9 1/2'	3 1/2"	2"	205 lbs.
ECAP35-Y	35'	38 1/2'	7"	3 1/2"	.156	9 1/2'	3 1/2"	2"	260 lbs.
ECP35-Y	35'	38 1/2'	7"	3 1/2"	.188	9 1/2'	3 1/2"	2"	270 lbs.
ECXP40-Y	40'	44'	7"	3 1/2"	.156	11'	3 1/2"	2"	287 lbs.
ECAP40-Y	40'	44'	8"	3 1/2"	.156	11'	3 1/2"	2"	320 lbs.
ECP40-Y	40'	44'	8"	3 1/2"	.188	11'	3 1/2"	2"	337 lbs.
ECP45-Y	45'	49'	8"	3 1/2"	.188	11'	3 1/2"	2"	362 lbs.
ECXP50-Y	50'	55'	8"	3 1/2"	.188	13'	3 1/2"	2"	390 lbs.
ECP50-Y	50'	55'	10"	4"	.188	13'	3 1/2"	2"	440 lbs.
ECXP60-Y	60'	66'	10"	4"	.188	14'	3 1/2"	2"	560 lbs.
ECXAP60-Y	60'	66'	10"	4"	.250	14'	3 1/2"	2"	625 lbs.
ECP60-Y	60'	66'	12"	4"	.250	14'	3 1/2"	2"	705 lbs.
ECXP70-Y	70'	77'	10"	4"	.321	16'	3 1/2"	2"	740 lbs.
ECP70-Y	70'	77'	12"	4"	.250	16'	3 1/2"	2"	805 lbs.
ECP80-Y	80'	88'	12"	4"	.375	18'	3 1/2"	2"	1070 lbs.

*Increased wall thickness for greater strength.

NOTE: All poles priced on page 135 include the yardarm. See page 138 for pricing on yardarms only.



SINGLE MAST NAUTICAL SERIES WITH YARDARM

External Halyard Ground Set Cone Tapered Aluminum Flagpoles

All flagpole models marked with an asterisk (*) are now available in both one and two section styles; please specify when placing your order. If not specified, one section pole(s) will be shipped.

SATIN

MODEL	ITEM #	1-2	3-6	7+
ECXP20-Y	320573	\$1,540	\$1,460	\$1,380
ECP20-Y	320574	1,750	1,660	1,570
ECXP25-Y	320575	1,630	1,550	1,460
ECXAP25-Y	320576	1,810	1,720	1,630
ECP25-Y	320577	2,100	2,000	1,890
ECXP30-Y*	320578	1,800	1,710	1,620
ECXAP30-Y*	320579	1,990	1,890	1,790
ECAP30-Y*	320580	2,290	2,180	2,060
ECP30-Y*	320581	2,350	2,240	2,110
ECSAP35-Y	320582	2,170	2,060	1,950
ECXP35-Y*	320583	2,390	2,270	2,150
ECAP35-Y*	320584	2,620	2,480	2,350
ECP35-Y*	320585	2,920	2,770	2,630
ECXP40-Y	320586	3,320	3,150	2,990
ECAP40-Y	320587	3,600	3,420	3,240
ECP40-Y	320588	3,790	3,600	3,410
ECP45-Y	320589	4,130	3,930	3,710
ECXP50-Y	320590	4,460	4,240	4,020
ECP50-Y	320591	5,450	5,180	4,910
ECXP60-Y	320592	6,120	5,820	5,510
ECXAP60-Y	320593	7,610	7,230	6,850
ECP60-Y	320594	9,480	9,000	8,530
ECXP70-Y	320595	9,290	8,830	8,360
ECP70-Y	320596	10,600	10,000	9,500
ECP80-Y	320597	13,500	12,900	12,200

CLEAR ANODIZED

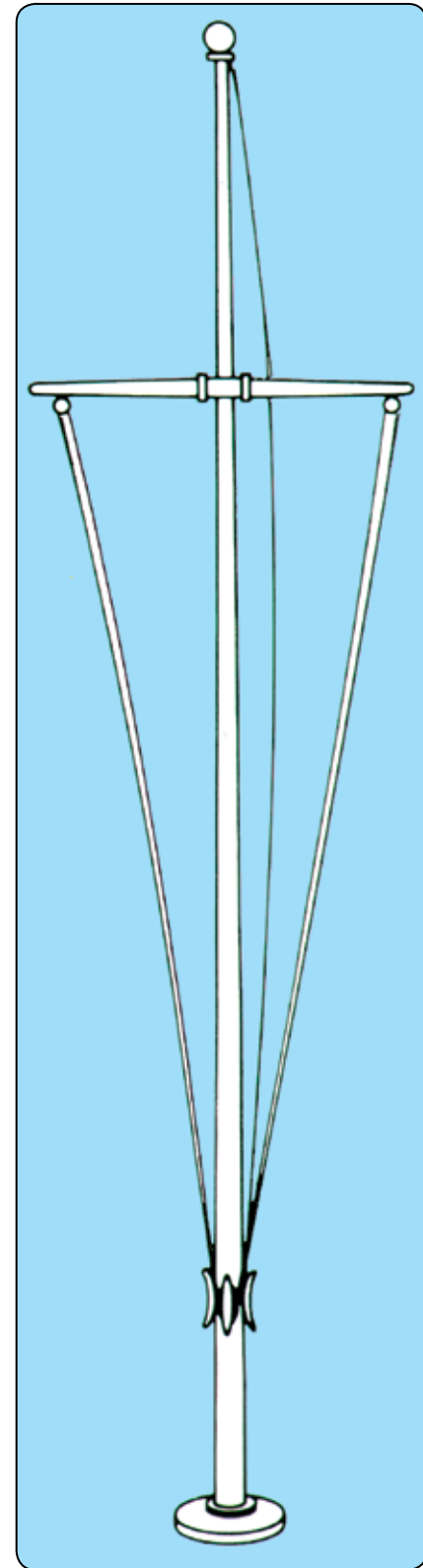
MODEL	ITEM #	1-2	3-6	7+
ECXP20-Y	320598	\$1,810	\$1,720	\$1,630
ECP20-Y	320599	2,020	1,920	1,820
ECXP25-Y	320600	1,960	1,850	1,760
ECXAP25-Y	320601	2,150	2,050	1,940
ECP25-Y	320602	2,430	2,300	2,190
ECXP30-Y*	320603	2,200	2,090	1,990
ECXAP30-Y*	320604	2,390	2,280	2,160
ECAP30-Y*	320605	2,740	2,600	2,470
ECP30-Y*	320606	2,780	2,650	2,500
ECSAP35-Y	320607	2,620	2,480	2,350
ECXP35-Y*	320608	2,890	2,740	2,590
ECAP35-Y*	320609	3,130	2,980	2,820
ECP35-Y*	320610	3,440	3,280	3,100
ECXP40-Y	320611	3,940	3,740	3,550
ECAP40-Y	320612	4,240	4,030	3,820
ECP40-Y	320613	4,440	4,220	4,000
ECP45-Y	320614	4,860	4,610	4,370
ECXP50-Y	320615	5,420	5,150	4,870
ECP50-Y	320616	6,380	6,060	5,740
ECXP60-Y	320617	7,110	6,760	6,400
ECXAP60-Y	320618	8,610	8,180	7,750
ECP60-Y	320619	10,400	9,900	9,300
ECXP70-Y	320620	10,300	9,800	9,300
ECP70-Y	320621	11,300	10,800	10,200
ECP80-Y	320622	14,600	13,900	13,200

BRONZE ANODIZED

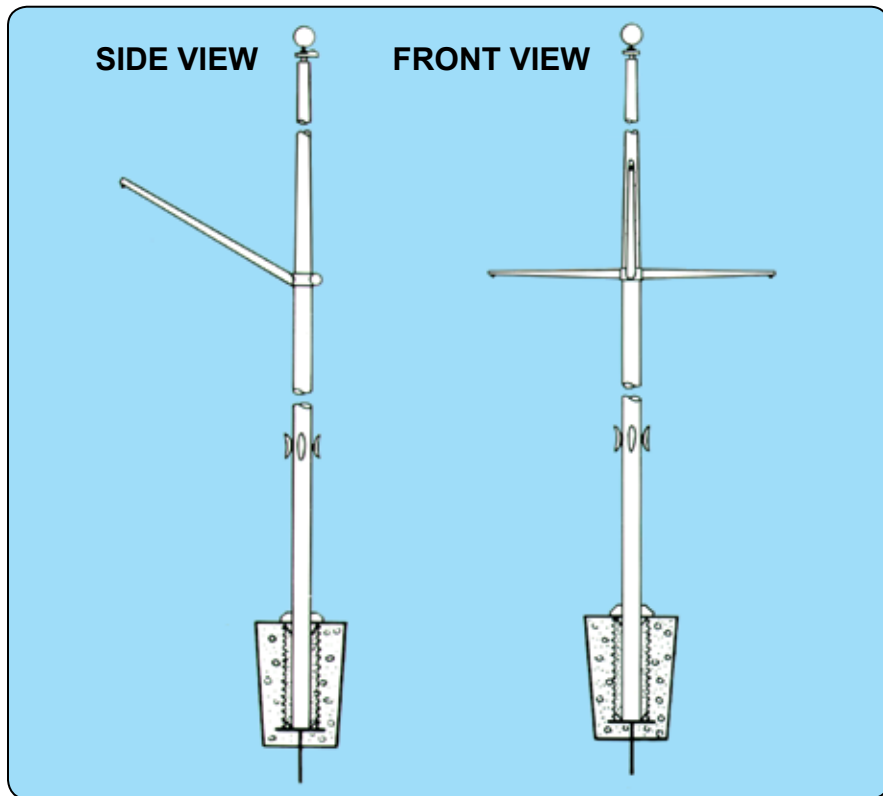
MODEL	ITEM #	1-2	3-6	7+
ECXP20-Y	320623	\$1,870	\$1,780	\$1,680
ECP20-Y	320624	2,080	1,980	1,870
ECXP25-Y	320625	2,000	1,900	1,800
ECXAP25-Y	320626	2,270	2,160	2,050
ECP25-Y	320627	2,550	2,430	2,290
ECXP30-Y*	320628	2,260	2,150	2,030
ECXAP30-Y*	320629	2,440	2,310	2,190
ECAP30-Y*	320630	2,820	2,670	2,540
ECP30-Y*	320631	2,860	2,720	2,580
ECSAP35-Y	320632	2,880	2,740	2,590
ECXP35-Y*	320633	3,110	2,950	2,800
ECAP35-Y*	320634	3,330	3,160	3,000
ECP35-Y*	320635	3,650	3,470	3,280
ECXP40-Y	320636	4,210	3,990	3,790
ECAP40-Y	320637	4,500	4,270	4,050
ECP40-Y	320638	4,690	4,350	4,220
ECP45-Y	320639	5,090	4,830	4,580
ECXP50-Y	320640	5,380	5,110	4,840
ECP50-Y	320641	6,430	6,110	5,790
ECXP60-Y	320642	7,130	6,780	6,420
ECXAP60-Y	320643	8,630	8,200	7,770
ECP60-Y	320644	10,500	9,970	9,450
ECXP70-Y	320645	10,370	9,850	9,330
ECP70-Y	320646	10,700	11,100	10,500
ECP80-Y	320647	14,700	14,000	13,200

BLACK ANODIZED

MODEL	ITEM #	1-2	3-6	7+
ECXP20-Y	320648	\$1,890	\$1,800	\$1,700
ECP20-Y	320649	2,100	2,000	1,890
ECXP25-Y	320650	2,010	1,910	1,810
ECXAP25-Y	320651	2,190	2,080	1,970
ECP25-Y	320652	2,550	2,420	2,300
ECXP30-Y*	320653	2,270	2,160	2,050
ECXAP30-Y*	320654	2,450	2,330	2,200
ECAP30-Y*	320655	2,830	2,680	2,550
ECP30-Y*	320656	2,870	2,730	2,590
ECSAP35-Y	320657	2,920	2,770	2,630
ECXP35-Y*	320658	3,090	2,950	2,800
ECAP35-Y*	320659	3,320	3,160	3,000
ECP35-Y*	320660	3,640	3,450	3,270
ECXP40-Y	320661	4,210	4,000	3,790
ECAP40-Y	320662	4,490	4,260	4,040
ECP40-Y	320663	4,690	4,450	4,220
ECP45-Y	320664	5,080	4,830	4,570
ECXP50-Y	320665	5,420	5,150	4,880
ECP50-Y	320666	6,470	6,150	5,830
ECXP60-Y	320667	7,190	6,830	6,470
ECXAP60-Y	320668	8,670	8,240	7,800
ECP60-Y	320669	10,500	10,000	9,490
ECXP70-Y	320670	10,400	9,900	9,380
ECP70-Y	320671	11,700	11,100	10,500
ECP80-Y	320672	14,700	14,000	13,300



OUTDOOR FLAGPOLES



SINGLE MAST NAUTICAL SERIES WITH YARDARM & GAFF

External Halyard Ground Set Cone Tapered
Aluminum Flagpoles

STANDARD ACCESSORIES

- Gold anodized aluminum ball ornament
- Cast aluminum revolving truck w/pulley
- Aluminum yardarm & gaff with pulleys & mounting hardware
- 4 lengths of solid braided polypropylene halyard
- Swivel flag snaps w/vinyl snap covers
- 4 Cast aluminum cleats with mounting screws
- Spun aluminum flash collar
- Galvanized steel foundation sleeve

NOTE: All poles priced on page 137 include the yardarm & gaff. See page 138 for pricing on yardarms and gaffs only.

MODEL	EXPOSED HEIGHT	OVERALL LENGTH	BUTT DIA.	TOP DIA.	WALL	YARDARM DIMENSIONS			GAFF DIMENSIONS			SHIPPING WEIGHT
						LENGTH	CENTER	ENDS	LENGTH	BUTT	TOP	
ECXP20-YG	20'	23'	5"	3"	.125	6'	3 1/2"	2"	5'	3 1/2"	2"	108 lbs.
ECP20-YG	20'	23'	5"	3"	.188	6'	3 1/2"	2"	5'	3 1/2"	2"	134 lbs.
ECXP25-YG	25'	27'	5"	3"	.125	6 1/2'	3 1/2"	2"	5 1/2'	3 1/2"	2"	133 lbs.
ECXAP25-YG	25'	27'	5"	3"	.156	6 1/2'	3 1/2"	2"	5 1/2'	3 1/2"	2"	143 lbs.
ECP25-YG	25'	27'	5 1/2"	3 1/2"	.188	6 1/2'	3 1/2"	2"	5 1/2'	3 1/2"	2"	170 lbs.
ECXP30-YG	30'	33'	5"	3"	.125	8 1/2'	3 1/2"	2"	6 1/2'	3 1/2"	2"	148 lbs.
ECXAP30-YG	30'	33'	5"	3"	.156	8 1/2'	3 1/2"	2"	6 1/2'	3 1/2"	2"	158 lbs.
ECAP30-YG	30'	33'	6"	3 1/2"	.156	8 1/2'	3 1/2"	2"	6 1/2'	3 1/2"	2"	205 lbs.
ECP30-YG	30'	33'	6"	3 1/2"	.188	8 1/2'	3 1/2"	2"	6 1/2'	3 1/2"	2"	215 lbs.
ECSAP35-YG*	35'	38 1/2'	5"	3"	.188	9 1/2'	3 1/2"	2"	7 1/2'	3 1/2"	2"	190 lbs.
ECXP35-YG	35'	38 1/2'	6"	3 1/2"	.156	9 1/2'	3 1/2"	2"	7 1/2'	3 1/2"	2"	220 lbs.
ECAP35-YG	35'	38 1/2'	7"	3 1/2"	.156	9 1/2'	3 1/2"	2"	7 1/2'	3 1/2"	2"	275 lbs.
ECP35-YG	35'	38 1/2'	7"	3 1/2"	.188	9 1/2'	3 1/2"	2"	7 1/2'	3 1/2"	2"	255 lbs.
ECXP40-YG	40'	44'	7"	3 1/2"	.156	11'	3 1/2"	2"	9'	3 1/2"	2"	307 lbs.
ECAP40-YG	40'	44'	8"	3 1/2"	.156	11'	3 1/2"	2"	9'	3 1/2"	2"	340 lbs.
ECP40-YG	40'	44'	8"	3 1/2"	.188	11'	3 1/2"	2"	9'	3 1/2"	2"	357 lbs.
ECP45-YG	45'	49'	8"	3 1/2"	.188	11'	3 1/2"	2"	9'	3 1/2"	2"	382 lbs.
ECXP50-YG	50'	55'	8"	3 1/2"	.188	13'	3 1/2"	2"	10'	3 1/2"	2"	420 lbs.
ECP50-YG	50'	55'	10"	4"	.188	13'	3 1/2"	2"	10'	3 1/2"	2"	470 lbs.
ECXP60-YG	60'	66'	10"	4"	.188	14'	3 1/2"	2"	12'	3 1/2"	2"	600 lbs.
ECXAP60-YG	60'	66'	10"	4"	.250	14'	3 1/2"	2"	12'	3 1/2"	2"	665 lbs.
ECP60-YG	60'	66'	12"	4"	.250	14'	3 1/2"	2"	12'	3 1/2"	2"	745 lbs.
ECXP70-YG	70'	77'	10"	4"	.321	16'	3 1/2"	2"	13'	3 1/2"	2"	755 lbs.
ECP70-YG	70'	77'	12"	4"	.250	16'	3 1/2"	2"	13'	3 1/2"	2"	850 lbs.
ECP80-YG	80'	88'	12"	4"	.375	18'	3 1/2"	2"	14'	3 1/2"	2"	1120 lbs.

*Increased wall thickness for greater strength.



SINGLE MAST NAUTICAL SERIES

WITH YARDARM & GAFF

External Halyard Ground Set Cone Tapered Aluminum Flagpoles

All flagpole models marked with an asterisk (*) are now available in both one and two section styles; please specify when placing your order. If not specified, one section pole(s) will be shipped.

SATIN

MODEL	ITEM #	1-2	3-6	7+
ECXP20-YG	320673	\$1,960	\$1,860	\$1,760
ECP20-YG	320674	2,170	2,060	1,950
ECXP25-YG	320675	2,070	1,970	1,860
ECXAP25-YG	320676	2,260	2,150	2,030
ECP25-YG	320677	2,540	2,410	2,280
ECXP30-YG*	320678	2,270	2,160	2,040
ECXAP30-YG*	320679	2,450	2,330	2,200
ECAP30-YG*	320680	2,760	2,630	2,480
ECP30-YG*	320681	2,810	2,670	2,530
ECSAP35-YG	320682	2,660	2,530	2,390
ECXP35-YG*	320683	2,880	2,740	2,590
ECAP35-YG*	320684	3,110	2,950	2,800
ECP35-YG*	320685	3,410	3,240	3,070
ECXP40-YG	320686	3,840	3,650	3,460
ECAP40-YG	320687	4,120	3,910	3,700
ECP40-YG	320688	4,320	4,100	3,890
ECP45-YG	320689	4,650	4,420	4,190
ECXP50-YG	320690	4,920	4,760	4,430
ECP50-YG	320691	5,990	5,690	5,390
ECXP60-YG	320692	6,200	5,890	5,590
ECXAP60-YG	320693	6,700	6,360	6,020
ECP60-YG	320694	10,000	9,550	9,040
ECXP70-YG	320695	9,880	9,390	8,890
ECP70-YG	320696	11,200	10,600	10,000
ECP80-YG	320697	14,100	13,500	12,700

CLEAR ANODIZED

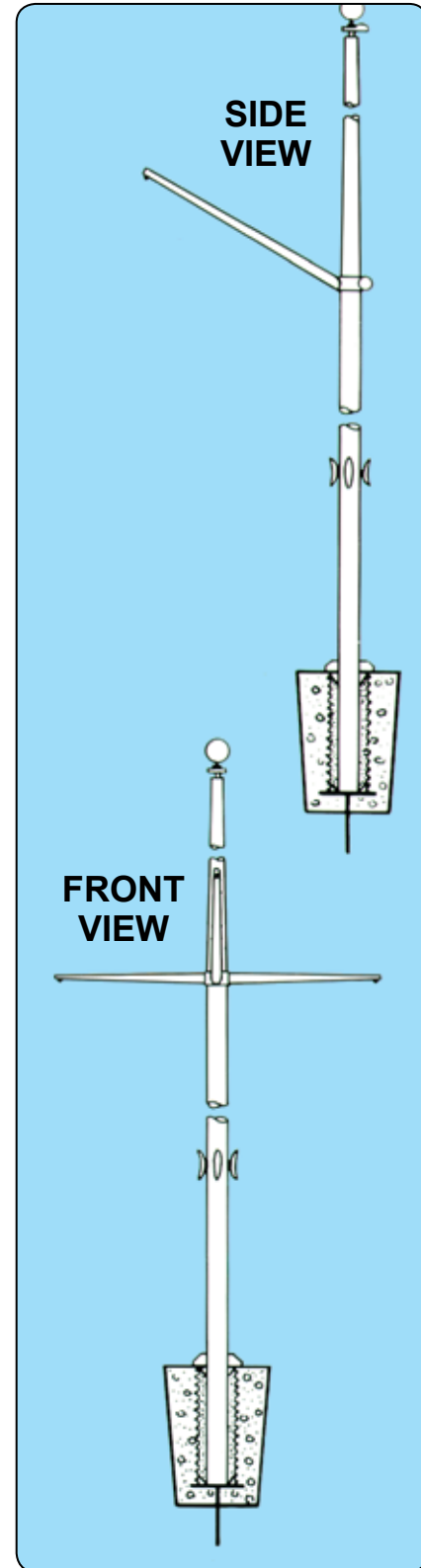
MODEL	ITEM #	1-2	3-6	7+
ECXP20-Y	320698	\$2,410	\$2,290	\$2,170
ECP20-Y	320699	2,630	2,490	2,360
ECXP25-Y	320700	2,550	2,420	2,290
ECXAP25-Y	320701	2,740	2,600	2,470
ECP25-Y	320702	3,020	2,870	2,720
ECXP30-Y*	320703	2,850	2,700	2,570
ECXAP30-Y*	320704	3,030	2,880	2,730
ECAP30-Y*	320705	3,340	3,180	3,010
ECP30-Y*	320706	3,390	3,220	3,050
ECSAP35-Y	320707	3,280	3,110	2,950
ECXP35-Y*	320708	3,530	3,360	3,180
ECAP35-Y*	320709	3,790	3,600	3,410
ECP35-Y*	320710	4,110	3,900	3,690
ECXP40-Y	320711	4,590	4,360	4,130
ECAP40-Y	320712	4,870	4,620	4,380
ECP40-Y	320713	5,070	4,810	4,560
ECP45-Y	320714	5,380	5,110	4,840
ECXP50-Y	320715	5,790	5,500	5,210
ECP50-Y	320716	6,980	6,520	6,170
ECXP60-Y	320717	7,780	7,390	7,000
ECXAP60-Y	320718	9,270	8,810	8,340
ECP60-Y	320719	11,200	10,700	10,100
ECXP70-Y	320720	11,100	10,500	10,000
ECP70-Y	320721	12,600	12,000	11,300
ECP80-Y	320722	15,600	14,800	14,000

BRONZE ANODIZED

MODEL	ITEM #	1-2	3-6	7+
ECXP20-Y	320723	\$2,530	\$2,400	\$2,230
ECP20-Y	320724	2,740	2,600	2,470
ECXP25-Y	320725	2,670	2,540	2,400
ECXAP25-Y	320726	2,860	2,720	2,580
ECP25-Y	320727	3,140	2,990	2,830
ECXP30-Y*	320728	2,990	2,840	2,680
ECXAP30-Y*	320729	3,160	3,010	2,850
ECAP30-Y*	320730	3,480	3,300	3,130
ECP30-Y*	320731	3,520	3,340	3,170
ECSAP35-Y	320732	3,430	3,260	3,090
ECXP35-Y*	320733	3,690	3,510	3,320
ECAP35-Y*	320734	3,950	3,750	3,560
ECP35-Y*	320735	4,250	4,040	3,830
ECXP40-Y	320736	4,760	4,520	4,280
ECAP40-Y	320737	5,050	4,790	4,540
ECP40-Y	320738	5,250	4,990	4,720
ECP45-Y	320739	5,560	5,290	5,000
ECXP50-Y	320740	6,030	5,730	5,430
ECP50-Y	320741	7,100	6,750	6,390
ECXP60-Y	320742	8,100	7,700	7,290
ECXAP60-Y	320743	9,600	9,120	8,640
ECP60-Y	320744	11,500	11,000	10,400
ECXP70-Y	320745	11,500	10,900	10,300
ECP70-Y	320746	13,000	12,300	11,700
ECP80-Y	320747	16,000	15,300	14,400

BLACK ANODIZED

MODEL	ITEM #	1-2	3-6	7+
ECXP20-Y	320748	\$2,630	\$2,490	\$2,370
ECP20-Y	320749	2,840	2,700	2,560
ECXP25-Y	320750	2,830	2,690	2,550
ECXAP25-Y	320751	3,010	2,860	2,710
ECP25-Y	320752	3,290	3,130	2,960
ECXP30-Y*	320753	3,170	3,010	2,850
ECXAP30-Y*	320754	3,340	3,180	3,010
ECAP30-Y*	320755	3,670	3,490	3,300
ECP30-Y*	320756	3,710	3,530	3,340
ECSAP35-Y	320757	3,670	3,490	3,300
ECXP35-Y*	320758	3,920	3,720	3,530
ECAP35-Y*	320759	4,180	3,980	3,770
ECP35-Y*	320760	4,490	4,260	4,040
ECXP40-Y	320761	5,020	4,770	4,520
ECAP40-Y	320762	5,320	5,050	4,790
ECP40-Y	320763	5,550	5,270	5,000
ECP45-Y	320764	5,870	5,580	5,290
ECXP50-Y	320765	6,400	6,080	5,760
ECP50-Y	320766	7,470	7,090	6,720
ECXP60-Y	320767	8,570	8,140	7,710
ECXAP60-Y	320768	10,000	9,550	9,000
ECP60-Y	320769	12,000	11,400	10,800
ECXP70-Y	320770	11,900	11,300	10,700
ECP70-Y	320771	13,500	12,800	12,100
ECP80-Y	320772	16,700	15,800	15,000



OUTDOOR FLAGPOLES

ALUMINUM YARDARMS

Cone Tapered For Single Mast Nautical Poles



Each yardarm is supplied with end pulleys, (2) lengths of solid braided polypropylene halyard with swivel flag snaps & snap covers, (2) 9" cast aluminum cleats with mounting screws plus all mounting hardware for a standard installation.

MODEL	FOR POLE HEIGHT	OVERALL LENGTH	CENTER DIA.	DIA. AT ENDS	SHIPPING WEIGHT
Y60	20'	6'	3 1/2"	2"	22 lbs.
Y65	25'	6 1/2'	3 1/2"	2"	23 lbs.
Y85	30'	8 1/2'	3 1/2"	2"	30 lbs.
Y95	35'	9 1/2'	3 1/2"	2"	35 lbs.
Y110	40'/45'	11'	3 1/2"	2"	39 lbs.
Y130	50'	13'	3 1/2"	2"	46 lbs.
Y140	60'	14'	3 1/2"	2"	50 lbs.
Y160	70'	16'	3 1/2"	2"	57 lbs.
Y180	80'	18'	3 1/2"	2"	64 lbs.

ALUMINUM GAFFS

Cone Tapered For Single Mast Nautical Poles



Each gaff is supplied with an end pulley, (1) length of solid braided polypropylene halyard with swivel flag snaps & snap covers, (1) 9" cast aluminum cleat with mounting screws plus all mounting hardware for a standard installation.

MODEL	FOR POLE HEIGHT	OVERALL LENGTH	CENTER DIA.	DIA. AT ENDS	SHIPPING WEIGHT
G50	20'	5'	3 1/2"	2"	18 lbs.
G56	25'	5 1/2'	3 1/2"	2"	20 lbs.
G66	30'	6 1/2'	3 1/2"	2"	23 lbs.
G76	35'	7 1/2'	3 1/2"	2"	27 lbs.
G90	40'/45'	9'	3 1/2"	2"	32 lbs.
G100	50'	10'	3 1/2"	2"	36 lbs.
G120	60'	12'	3 1/2"	2"	43 lbs.
G140	70'	14'	3 1/2"	2"	50 lbs.
G160	80'	16'	3 1/2"	2"	57 lbs.

SATIN

MODEL	ITEM #	1-2	3-6	7+
Y60	320773	\$630	\$590	\$560
Y65	320774	660	630	590
Y85	320775	720	680	640
Y95	320776	730	700	660
Y110	320777	800	760	720
Y130	320778	890	850	800
Y140	320779	950	900	850
Y160	320780	980	930	880
Y180	320781	1,120	1,060	1,000

SATIN

MODEL	ITEM #	1-2	3-6	7+
G50	320809	\$420	\$400	\$380
G56	320810	448	420	400
G66	320811	480	460	430
G76	320812	500	480	450
G90	320813	520	500	470
G100	320814	540	520	490
G120	320815	570	540	510
G140	320816	600	570	540
G160	320817	670	630	600

CLEAR ANODIZED

MODEL	ITEM #	1-2	3-6	7+
Y60	320782	\$720	\$690	\$650
Y65	320783	720	690	680
Y85	320784	840	790	750
Y95	320785	860	810	770
Y110	320786	950	900	850
Y130	320787	1,080	1,030	970
Y140	320788	1,120	1,060	1,000
Y160	320789	1,200	1,140	1,080
Y180	320790	1,370	1,300	1,240

CLEAR ANODIZED

MODEL	ITEM #	1-2	3-6	7+
G50	320818	\$500	\$480	\$450
G56	320819	540	520	490
G66	320820	580	550	520
G76	320821	610	580	550
G90	320822	650	610	580
G100	320823	700	670	630
G120	320824	750	710	670
G140	320825	790	750	710
G160	320826	860	810	770

BRONZE ANODIZED

MODEL	ITEM #	1-2	3-6	7+
Y60	320791	\$680	\$790	\$750
Y65	320792	790	750	710
Y85	320793	890	850	800
Y95	320794	940	890	840
Y110	320795	1,050	1,000	940
Y130	320796	1,200	1,140	1,080
Y140	320797	1,270	1,210	1,150
Y160	320798	1,380	1,320	1,250
Y180	320799	1,560	1,490	1,410

BRONZE ANODIZED

MODEL	ITEM #	1-2	3-6	7+
G50	320827	\$530	\$510	\$480
G56	320828	580	550	520
G66	320829	610	580	550
G76	320830	690	660	620
G90	320831	750	710	670
G100	320832	800	760	720
G120	320833	850	800	760
G140	320834	900	860	810
G160	320835	990	940	890

BLACK ANODIZED

MODEL	ITEM #	1-2	3-6	7+
Y60	320800	\$780	\$740	\$700
Y65	320801	840	790	750
Y85	320802	940	890	840
Y95	320803	980	930	880
Y110	320804	1,100	1,050	990
Y130	320805	1,280	1,220	1,160
Y140	320806	1,350	1,280	1,220
Y160	320807	1,490	1,410	1,340
Y180	320808	1,690	1,600	1,520

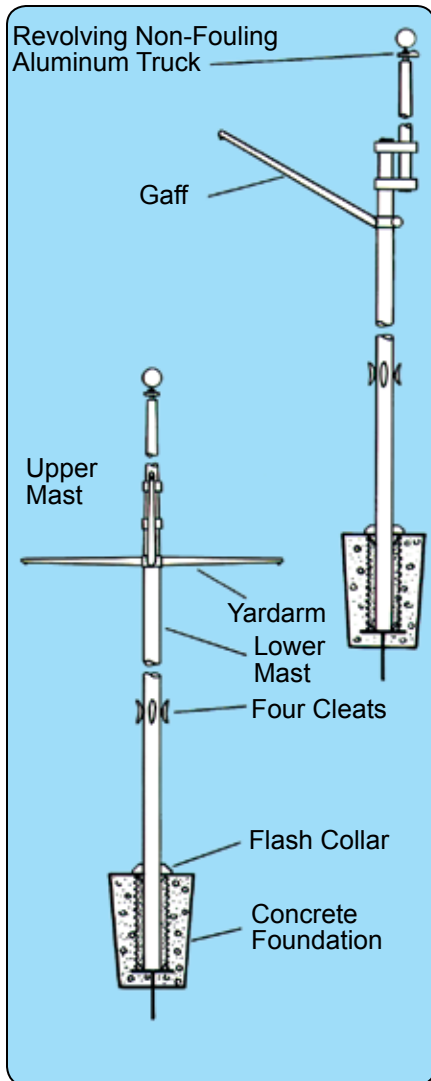
BLACK ANODIZED

MODEL	ITEM #	1-2	3-6	7+
G50	320836	\$560	\$530	\$500
G56	320837	610	580	550
G66	320838	660	620	590
G76	320839	750	710	670
G90	320840	810	770	730
G100	320841	880	840	790
G120	320842	950	900	850
G140	320843	1,000	950	900
G160	320844	1,120	1,060	1,000

DOUBLE MAST NAUTICAL SERIES WITH YARDARM & GAFF

Double Mast Nautical flagpoles are designed to authentically match the original concept of the old double masted ship riggings with the Stars & Stripes flying from the mast's gaff. The top & lower mast connecting bracket as well as the gaff & yardarm bracket are specially fabricated from aluminum plate & tubing, heliarc welded and finished to match the flagpole. The resulting flagpole is one of beauty, strength and authenticity. All fittings for a complete installation are included; gold anodized aluminum ball ornament, revolving truck assembly, four halyards with swivel flag snaps & vinyl snap covers, four rope cleats with mounting screws, spun aluminum flash collar & corrugated steel foundation sleeve.

MODEL	EXPOSED HEIGHT	OVERALL LENGTH	BUTT DIA.	TOP DIA.	WALL	YARDARM DIMENSIONS			GAFF DIMENSIONS			SHIPPING WEIGHT
						LENGTH	CENTER	ENDS	LENGTH	BUTT	TOP	
ECPDM20	20'	23'	5"	3"	.188	6'	3 1/2"	2"	5'	3 1/2"	2"	208 lbs.
ECPDM25	25'	27'	5 1/2"	3 1/2"	.188	6 1/2'	3 1/2"	2"	5 1/2'	3 1/2"	2"	268 lbs.
ECPDM30	30'	33'	6"	3 1/2"	.188	8 1/2'	3 1/2"	2"	6 1/2'	3 1/2"	2"	348 lbs.
ECPDM35	35'	38 1/2'	7"	3 1/2"	.188	9 1/2'	3 1/2"	2"	7 1/2'	3 1/2"	2"	442 lbs.
ECPDM40	40'	44'	8"	3 1/2"	.188	11'	3 1/2"	2"	9'	3 1/2"	2"	538 lbs.
ECPDM45	45'	49'	8"	3 1/2"	.188	11'	3 1/2"	2"	9'	3 1/2"	2"	588 lbs.
ECPDM50	50'	55'	10"	4"	.188	13'	3 1/2"	2"	10'	3 1/2"	2"	698 lbs.
ECPDM60	60'	66'	12"	4"	.250	14'	3 1/2"	2"	12'	3 1/2"	2"	983 lbs.
ECPDM70	70'	77'	12"	4"	.312	16'	3 1/2"	2"	14'	3 1/2"	2"	1117 lbs.



SATIN

MODEL	ITEM #	1-2	3-6	7+
ECPDM20	320845	\$3,800	\$3,650	\$3,460
ECPDM25	320846	4,560	4,330	4,110
ECPDM30	320847	5,030	4,780	4,530
ECPDM35	320848	5,880	5,580	5,290
ECPDM40	320849	7,200	6,840	6,490
ECPDM45	320850	7,920	7,520	7,120
ECPDM50	320851	9,350	8,870	8,410
ECPDM60	320852	14,400	13,600	12,900
ECPDM70	320853	18,000	17,000	15,900

CLEAR ANODIZED

MODEL	ITEM #	1-2	3-6	7+
ECPDM20	320855	\$4,120	\$3,910	\$3,700
ECPDM25	320856	4,910	4,660	4,420
ECPDM30	320857	5,390	5,110	4,850
ECPDM35	320858	6,320	6,000	5,680
ECPDM40	320859	7,810	7,410	7,030
ECPDM45	320860	8,580	8,150	7,720
ECPDM50	320861	10,200	9,690	9,180
ECPDM60	320862	15,620	15,100	14,300
ECPDM70	320863	19,690	18,700	18,000

BRONZE ANODIZED

MODEL	ITEM #	1-2	3-6	7+
ECPDM20	320865	\$4,290	\$4,070	\$3,850
ECPDM25	320866	5,030	4,780	4,530
ECPDM30	320867	5,500	5,220	4,950
ECPDM35	320868	6,470	6,150	5,830
ECPDM40	320869	7,920	7,520	7,120
ECPDM45	320870	8,740	8,300	7,860
ECPDM50	320871	10,450	9,920	9,400
ECPDM60	320872	16,000	15,200	14,400
ECPDM70	320873	20,100	19,100	18,100

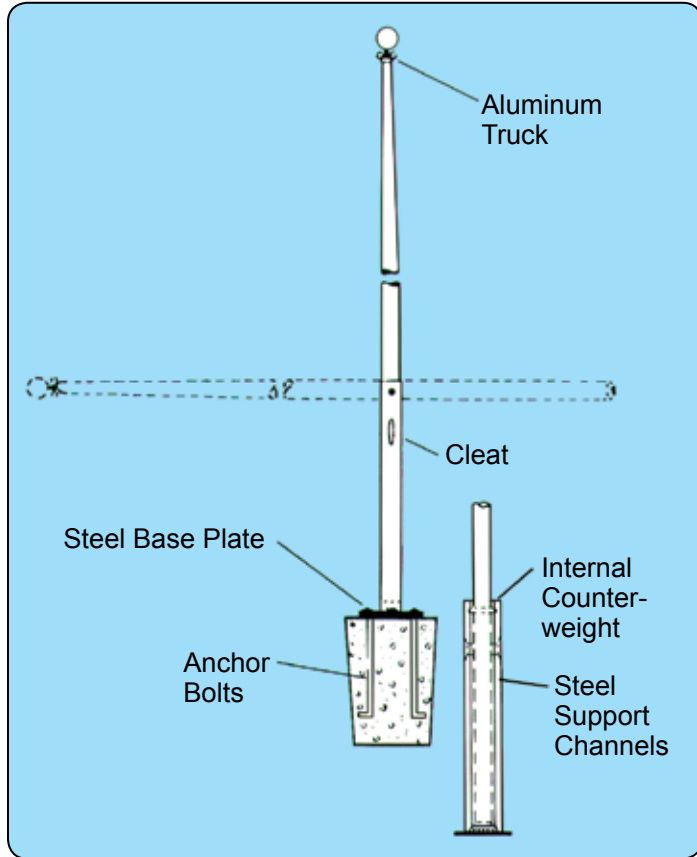
BLACK ANODIZED

MODEL	ITEM #	1-2	3-6	7+
ECPDM20	320875	\$4,360	\$4,140	\$3,920
ECPDM25	320876	5,090	4,840	4,570
ECPDM30	320877	5,560	5,280	5,000
ECPDM35	320878	6,540	6,200	5,880
ECPDM40	320879	7,980	7,590	7,180
ECPDM45	320880	8,830	8,380	7,940
ECPDM50	320881	10,500	9,990	9,470
ECPDM60	320882	16,100	15,300	14,500
ECPDM70	320883	20,200	19,200	18,200

OUTDOOR FLAGPOLES

COUNTER-BALANCED TILTING FLAGPOLES

All of the cone tapered aluminum flagpoles on pages 127 through 139 can be adapted with a counter-balanced tilt system. For ease of maintenance, the counter-balanced tilting flagpole has no equal. This unique design features a steel counter-weight inside the flagpole shaft to avoid disturbing the graceful appearance of the tapered shaft. The base structure consists of two support channels welded to a base plate. The flagpole shaft is suspended by a pivot bolt and secured with a locking clip assembly. Anchor bolts are furnished for mounting to a concrete base.

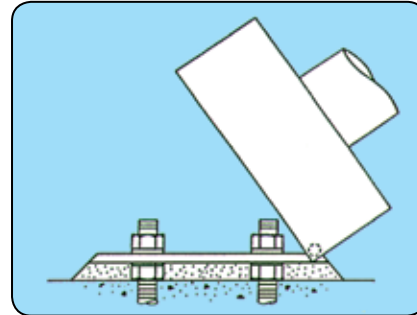


FOR COUNTER-BALANCED TILTING FLAGPOLES, ADD THE FOLLOWING PRICING TO ANY OF THE FLAGPOLES ON PAGES 127 - 139.

BUTT DIAMETER	PRICE
2 ³ / ₈ "	\$720
3"	760
3 ¹ / ₂ "	960
4"	1,200
5"	1,740
5 ¹ / ₂ "	1,990
6"	2,260
7"	3,000
8"	4,100
10"	6,900

TILTING SHOE BASE FLAGPOLES

All of the cone tapered aluminum flagpoles on pages 127 through 139 with a 3", 4", 5" or 6" butt diameter can be supplied with a tilting shoe base. The tilting base is circumferentially welded to the base eliminating the need for a flash collar. The hinged portion of the base is held in place by (3) stainless steel, allen head bolts and pivots on a solid aluminum pivot rod. Anchor bolts are furnished for mounting to a concrete base.

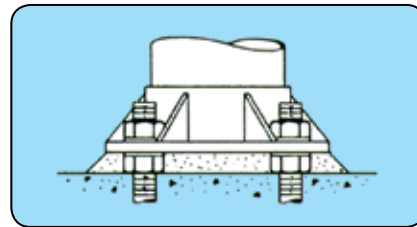


FOR TILTING SHOE BASE FLAGPOLES, ADD THE FOLLOWING PRICING TO ANY OF THE FLAGPOLES ON PAGES 127 - 139.

BUTT DIA.	1-2	3-6	7+
3"	\$330	\$310	\$290
4"	410	390	370
5"	420	400	380
6"	420	400	380

SHOE BASE FLAGPOLES

All of the cone tapered aluminum flagpoles on pages 127 through 139 can be supplied with a shoe base mounting. The aluminum base is circumferentially welded to the flagpole shaft. A spun aluminum flash collar is supplied as standard unless otherwise specified. Anchor bolts are furnished for mounting to a concrete base.



FOR SHOE BASE FLAGPOLES, ADD THE FOLLOWING PRICING TO ANY OF THE FLAGPOLES ON PAGES 127 - 139.

BUTT DIA.	1-2	3-6	7+
2 ³ / ₈ "	\$190	\$180	\$170
3"	200	190	170
3 ¹ / ₂ "	220	210	200
4"	220	210	200
5"	240	230	220
6"	250	240	230
7"	260	250	240
8"	280	270	260
10"*	1,280	1,220	1,160
12"*	1,400	1,340	1,280

*In addition to a shoe base, a mandrel is inserted into pole for added structural support.

GROUND SET DIMINISHING SECTION STEEL FLAGPOLES

Both external and internal halyard flagpoles are fabricated from all new seamless steel tubing. Diminishing sections, welded together, form a graceful tapered appearance. Although sizes below are most commonly used, we can fabricate other sizes to any specifications.

EXTERNAL HALYARD FEATURES

- Ball** - 14 Ga. Aluminum with flash seam. Gold anodized is furnished unless otherwise specified or choose from Clear Anodized (Silver) or finished to match shaft.
- Truck** - heavy duty, external halyard, non-fouling, revolving-type with 26 stainless steel ball bearings. Finished to match flagpole shaft.
- Halyard** - standard equipment includes one waterproof, mildew and U.V. resistant nylon halyard with wire center. Choose: White, Silver, Black or Brown to match shaft.

- Cleat** - heavy-duty cast aluminum finished to match shaft. Secured with two stainless steel, flat-head, tamper-proof machine screws.
- Collar** - ornamental base or flash collar of spun aluminum with a diameter of at least 1" larger than the foundation sleeve.

Foundation Sleeve - 16 Ga. Corrugated steel tubing with lightning spike, base plate, support plate and centering wedges.

Above fittings are included as standard equipment on all Diminishing Section Flagpoles with External Halyards. As with all of our Flagpole lines, optional accessories are available.

Finish - all of our steel flagpoles are mechanically cleaned and chemically etched to provide a smooth surface. Two coats of two-part polyurethane primer are applied before application of two polyurethane finish coats. Specify custom or one of these standard colors: Aluminum (silver), Light Bronze, Medium Bronze, Dark Bronze, Black or White.

Recommendation: flagpoles above 100' exposed height should be equipped with an internal halyard system to aid in raising and lowering larger flags.

EXPOSED HEIGHT	OVERALL LENGTH	BUTT DIA.	TOP DIA.	WALL	# OF SECTIONS	FIELD WELDS	MAX. UNFLAGGED WIND SPEED	MAX. FLAGGED WIND SPEED	MAX. SUGGESTED FLAG SIZE	SHIPPING WEIGHT
90'	99'	10.75"	4.5"	.375	5	2	100+ MPH	78 MPH	25' x 40'	2700 lbs.
100'	110'	12.75"	5.563"	.375	5	2	100+ MPH	88 MPH	30' x 50'	3900 lbs.
110'	121'	14"	6.625"	.375	5	2	100+ MPH	87 MPH	30' x 50'	4100 lbs.
120'	132'	14"	6.625"	.375	5	2	100+ MPH	85 MPH	30' x 50'	4900 lbs.
130'	143'	18"	6.625"	.375	6	3	100+ MPH	88 MPH	30' x 50'	6400 lbs.

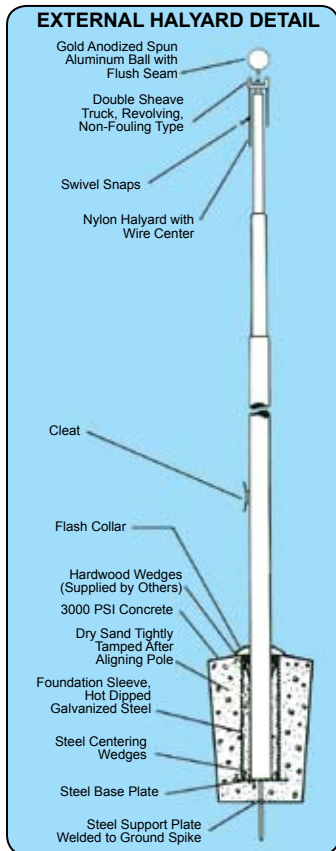
INTERNAL HALYARD FEATURES

- Ball (optional)** - 14 Ga. Aluminum with flash seam. Gold anodized is furnished unless otherwise specified or choose from Clear Anodized (Silver) or finished to match shaft.
- Truck** - heavy duty, INTERNAL halyard revolving-type with 26 stainless steel ball bearings. Finished to match flagpole shaft.
- Halyard** - standard equipment includes one stainless steel aircraft cable complete with proper size flag arrangement, shock spring, counterweight, beaded retainer ring and flag snaps.

Winch - new, improved winch, mounted inside shaft, is operable only by a removable crank handle. Gearless and self-locking at any point, it eliminates the need for a separate brake. New direct-drive permits rapid raising and lowering of flag with little effort. As stainless steel cable unwinds from winch, it passes up through the shaft, over truck sheave to the outside of the shaft where retainer sling provides a sliding anchor. Counterweight, heavily coated with neoprene, attached to retainer sling, allows halyard to be lowered for fastening or removing flag. Then, halyard is raised completely out of reach of vandals.

Collar - ornamental base or flash collar of spun aluminum with a diameter of at least 1" larger than the foundation sleeve.

Above fittings are included as standard equipment on all Diminishing Section Flagpoles with External Halyards. As with all of our Flagpole lines, optional accessories are available.



EXTERNAL HALYARD

		SILVER			LIGHT BRONZE			MEDIUM BRONZE				
MODEL	ITEM #	1-2	3-6	7+	ITEM #	1-2	3-6	7+	ITEM #	1-2	3-6	7+
EST90	322638	\$13,200	\$12,500	\$11,800	322663	\$13,200	\$12,500	\$11,800	322643	\$13,200	\$12,500	\$11,800
EST100	322639	16,400	15,500	14,700	322664	16,400	15,500	14,700	322644	16,400	15,500	14,700
EST110	322640	20,900	19,800	18,800	322665	20,900	19,800	18,800	322645	20,900	19,800	18,800
EST120	322641	22,200	21,100	20,050	322666	22,200	21,100	20,050	322646	22,200	21,100	20,050
EST130	322642	25,500	24,100	23,000	322667	25,500	24,100	23,000	322647	25,500	24,100	23,000

		DARK BRONZE			BLACK			WHITE				
MODEL	ITEM #	1-2	3-6	7+	ITEM #	1-2	3-6	7+	ITEM #	1-2	3-6	7+
EST90	322648	\$13,200	\$12,500	\$11,800	322653	\$13,200	\$12,500	\$11,800	322658	\$13,200	\$12,500	\$11,800
EST100	322649	16,400	15,500	14,700	322654	16,400	15,500	14,700	322659	16,400	15,500	14,700
EST110	322650	20,900	19,800	18,800	322655	20,900	19,800	18,800	322660	20,900	19,800	18,800
EST120	322651	22,200	21,100	20,050	322656	22,200	21,100	20,050	322661	22,200	21,100	20,050
EST130	322652	25,500	24,100	23,000	322657	25,500	24,100	23,000	322662	25,500	24,100	23,000

INTERNAL HALYARD

		SILVER			LIGHT BRONZE			MEDIUM BRONZE				
MODEL	ITEM #	1-2	3-6	7+	ITEM #	1-2	3-6	7+	ITEM #	1-2	3-6	7+
EST90IH	322668	\$14,500	\$13,800	\$13,100	322693	\$14,500	\$13,800	\$13,100	322673	\$14,500	\$13,800	\$13,100
EST100IH	322669	18,000	17,100	16,100	322694	18,000	17,100	16,100	322674	18,000	17,100	16,100
EST110IH	322670	22,800	21,700	20,600	322695	22,800	21,700	20,600	322675	22,800	21,700	20,600
EST120IH	322671	24,100	22,900	21,800	322696	24,100	22,900	21,800	322676	24,100	22,900	21,800
EST130IH	322672	27,600	26,200	24,800	322697	27,600	26,200	24,800	322677	27,600	26,200	24,800

		DARK BRONZE			BLACK			WHITE				
MODEL	ITEM #	1-2	3-6	7+	ITEM #	1-2	3-6	7+	ITEM #	1-2	3-6	7+
EST90IH	322678	\$14,500	\$13,800	\$13,100	322683	\$14,500	\$13,800	\$13,100	322688	\$14,500	\$13,800	\$13,100
EST100IH	322679	18,000	17,100	16,100	322684	18,000	17,100	16,100	322689	18,000	17,100	16,100
EST110IH	322680	22,800	21,700	20,600	322685	22,800	21,700	20,600	322690	22,800	21,700	20,600
EST120IH	322681	24,100	22,900	21,800	322686	24,100	22,900	21,800	322691	24,100	22,900	21,800
EST130IH	322682	27,600	26,200	24,800	322687	27,600	26,200	24,800	322692	27,600	26,200	24,800

OUTDOOR FLAGPOLES

BRACKETS FOR 2 3/8" THROUGH 5" POLES



BRACKETS FOR 6" AND 6 1/2" POLES



VERTICAL WALL MOUNT SERIES

External Halyard Cone Tapered Aluminum Flagpoles

STANDARD ACCESSORIES

- Gold anodized aluminum ball ornament
- Cast aluminum revolving truck on 5" & 6" diameter poles; all others have a stationary truck as standard
- Solid braided polypropylene halyard
- 4", 5" & 6" diameter poles have swivel flag snaps with vinyl covers; all others have nylon flag snaps
- Cast aluminum cleat with mounting screws
- Cast aluminum mounting brackets - please specify expansion shields or thru wall bolts; if not specified expansion shields will be provided

MODEL	OVERALL LENGTH	BUTT DIA.	TOP DIA.	WALL	REC. FLAG SIZE	SHIPPING WEIGHT
EVWM8	8'	2 3/8"	1 7/8"	.140	3' x 5'	25 lbs.
EVWM10	10'	2 3/8"	1 7/8"	.140	3' x 5'	28 lbs.
EVWM12	12'	2 3/8"	1 7/8"	.140	3' x 5'	33 lbs.
EVWM14	14'	2 3/8"	1 7/8"	.140	3' x 5'	36 lbs.
EVWM17	17'	2 3/8"	1 7/8"	.140	3' x 5'	40 lbs.
EVWM20	20'	2 3/8"	1 7/8"	.140	3' x 5'	45 lbs.
EVWM22	22'	2 3/8"	1 7/8"	.140	3' x 5'	48 lbs.
EVWS8	8'	3"	1 7/8"	.125	3' x 5'	25 lbs.
EVWS10	10'	3"	1 7/8"	.125	3' x 5'	28 lbs.
EVWS12	12'	3"	1 7/8"	.125	3' x 5'	33 lbs.
EVWS14	14'	3"	1 7/8"	.125	3' x 5'	36 lbs.
EVWS17	17'	3"	1 7/8"	.125	3' x 5'	40 lbs.
EVWS20	20'	3"	1 7/8"	.125	3' x 5'	45 lbs.
EVWS22	22'	3"	1 7/8"	.125	3' x 5'	48 lbs.
EVWS25	25'	3"	1 7/8"	.125	3' x 5'	50 lbs.
EVWS27	27'	3"	1 7/8"	.125	3' x 5'	55 lbs.
EVW12	12'	3 1/2"	2 3/8"	.125	3' x 5'	35 lbs.
EVW16	16'	3 1/2"	2 3/8"	.125	3' x 5'	40 lbs.
EVW20	20'	3 1/2"	2 3/8"	.125	3' x 5'	45 lbs.
EVW22	22'	3 1/2"	2 3/8"	.125	3' x 5'	50 lbs.
EVW25	25'	3 1/2"	2 3/8"	.125	4' x 6'	55 lbs.
EVW27	27'	3 1/2"	2 3/8"	.125	4' x 6'	60 lbs.
EVWAF16	16'	4"	2 3/8"	.125	3' x 5'	52 lbs.
EVWAF20	20'	4"	2 3/8"	.125	3' x 5'	60 lbs.
EVWAF22	22'	4"	2 3/8"	.125	3' x 5'	63 lbs.
EVWAF25	25'	4"	2 3/8"	.125	4' x 6'	65 lbs.
EVWAF27	27'	4"	2 3/8"	.125	4' x 6'	70 lbs.
EVWAF30	30'	4"	2 3/8"	.125	5' x 8'	80 lbs.
LVW20	20'	5"	3"	.125	4' x 6'	70 lbs.
LVWC20	20'	5"	3"	.188	4' x 6'	80 lbs.
LVW23	23'	5"	3"	.125	4' x 6'	75 lbs.
LVWC23	23'	5"	3"	.188	4' x 6'	85 lbs.
LVW25	25'	5"	3"	.125	4' x 6'	80 lbs.
LVWC25	25'	5"	3"	.156	4' x 6'	90 lbs.
LVW27	27'	5"	3"	.125	4' x 6'	85 lbs.
LVWC27	27'	5"	3"	.156	4' x 6'	95 lbs.
LVW30	30'	6"	3 1/2"	.156	5' x 8'	125 lbs.
LVWC30	30'	6"	3 1/2"	.188	5' x 8'	135 lbs.
LVW33	33'	6"	3 1/2"	.156	5' x 8'	130 lbs.
LVWC33	33'	6"	3 1/2"	.188	5' x 8'	140 lbs.
LVW35	35'	6"	3 1/2"	.156	6' x 10'	135 lbs.

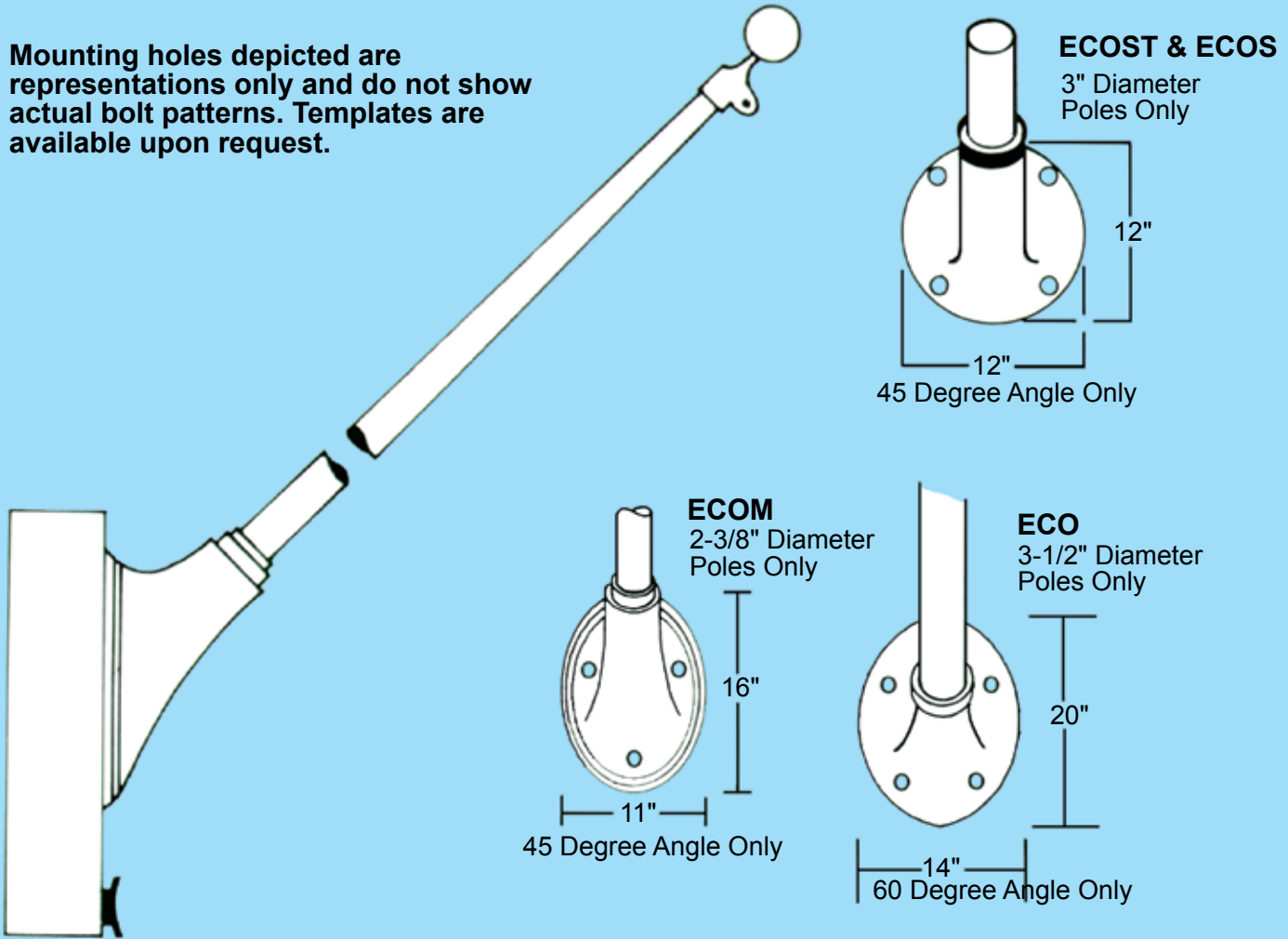
OUTDOOR FLAGPOLES

OUTRIGGER WALL MOUNT SERIES

External Halyard Aluminum Flagpoles

All Models are Cone Tapered Except the ECOS Models which are Non-Tapering Poles

Mounting holes depicted are representations only and do not show actual bolt patterns. Templates are available upon request.



STANDARD ACCESSORIES

- Gold anodized aluminum ball ornament
- Cast aluminum stationary truck
- Solid braided polypropylene halyard
- (2) nylon flag snaps
- Cast aluminum cleat with mounting screws
- Cast aluminum mounting bracket - please specify expansion shields or thru wall bolts; if not specified expansion shields will be supplied

MODEL	OVERALL LENGTH	CONE TAPERED	NON-TAPERED	BUTT DIA.	TOP DIA.	WALL	REC. FLAG SIZE	SHIPPING WEIGHT
ECOM8	8'	•		2 ³ / ₈ "	1 ⁷ / ₈ "	.140	3' x 5'	25 lbs.
ECOM10	10'	•		2 ³ / ₈ "	1 ⁷ / ₈ "	.140	3' x 5'	30 lbs.
ECOM12	12'	•		2 ³ / ₈ "	1 ⁷ / ₈ "	.140	3' x 5'	35 lbs.
ECOM14	14'	•		2 ³ / ₈ "	1 ⁷ / ₈ "	.140	3' x 5'	38 lbs.
ECOM16	16'	•		2 ³ / ₈ "	1 ⁷ / ₈ "	.140	3' x 5'	40 lbs.
ECOST8	8'	•		3"	1 ⁷ / ₈ "	.125	3' x 5'	25 lbs.
ECOST10	10'	•		3"	1 ⁷ / ₈ "	.125	3' x 5'	30 lbs.
ECOS8	8'		•	3"	3"	.125	3' x 5'	25 lbs.
ECOS10	10'		•	3"	3"	.125	3' x 5'	30 lbs.
ECO8	8'	•		3 ¹ / ₂ "	2 ³ / ₈ "	.125	3' x 5'	24 lbs.
ECO10	10'	•		3 ¹ / ₂ "	2 ³ / ₈ "	.125	3' x 5'	30 lbs.
ECO12	12'	•		3 ¹ / ₂ "	2 ³ / ₈ "	.125	3' x 5'	35 lbs.
ECO16	16'	•		3 ¹ / ₂ "	2 ³ / ₈ "	.125	3' x 5'	40 lbs.
ECO20*	20'	•		3 ¹ / ₂ "	2 ³ / ₈ "	.125	4' x 6'	45 lbs.

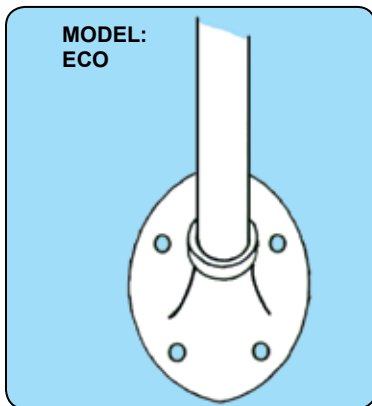
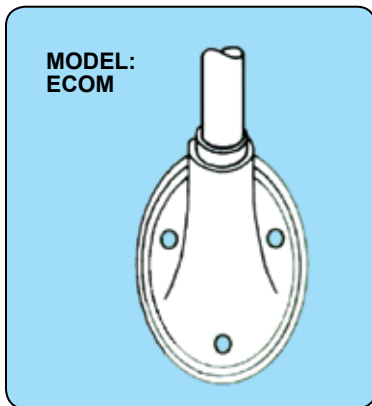
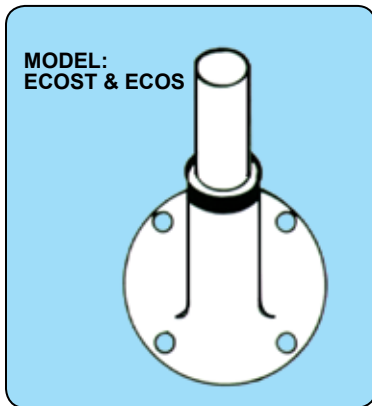
*Suggested to use guy wires

OUTRIGGER WALL MOUNT SERIES

External Halyard Aluminum Flagpoles

COMPLETE SETS

Includes Brackets & Mounting Hardware



SATIN

MODEL	ITEM #	1-2	3-6	7+
ECOM8	323061	\$700	\$680	\$650
ECOM10	323062	720	690	650
ECOM12	323063	740	700	660
ECOM14	323064	750	710	670
ECOM16	323065	760	720	680
ECOST8	323066	380	360	340
ECOST10	323067	410	390	370
ECOS8	323068	340	320	300
ECOS10	323069	360	340	320
ECO8	324061	1,140	1,080	1,020
ECO10	324057	1,160	1,100	1,040
ECO12	323070	1,060	1,000	950
ECO16	323071	1,080	1,030	970
ECO20	323072	1,100	1,040	990

CLEAR ANODIZED

MODEL	ITEM #	1-2	3-6	7+
ECOM8	323073	\$830	\$790	\$750
ECOM10	323074	840	800	760
ECOM12	323075	850	810	770
ECOM14	323076	860	820	780
ECOM16	323077	870	830	790
ECOST8	323078	480	460	440
ECOST10	323079	500	480	460
ECOS8	323080	420	400	380
ECOS10	323081	450	430	410
ECO8	324062	1,420	1,350	1,280
ECO10	324058	1,440	1,360	1,290
ECO12	323082	1,310	1,240	1,180
ECO16	323083	1,330	1,260	1,200
ECO20	323084	1,350	1,280	1,220

BRONZE ANODIZED

MODEL	ITEM #	1-2	3-6	7+
ECOM8	323085	\$960	\$910	\$860
ECOM10	323086	980	930	880
ECOM12	323087	1000	950	900
ECOM14	323088	1030	980	930
ECOM16	323089	1050	1000	950
ECOST8	323090	490	470	450
ECOST10	323091	520	500	480
ECOS8	323092	440	420	400
ECOS10	323093	470	450	430
ECO8	324063	1,450	1,370	1,300
ECO10	324059	1,480	1,400	1,330
ECO12	323094	1,340	1,270	1,210
ECO16	323095	1,360	1,290	1,230
ECO20	323096	1,380	1,310	1,240

BLACK ANODIZED

MODEL	ITEM #	1-2	3-6	7+
ECOM8	323097	\$900	\$860	\$820
ECOM10	323098	920	880	840
ECOM12	323099	940	900	860
ECOM14	323100	960	920	880
ECOM16	323101	980	940	900
ECOST8	323102	530	500	480
ECOST10	323103	540	520	500
ECOS8	323104	470	450	430
ECOS10	323105	490	470	450
ECO8	324064	1,460	1,380	1,310
ECO10	324060	1,490	1,410	1,340
ECO12	323106	1,350	1,290	1,210
ECO16	323107	1,370	1,300	1,230
ECO20	323108	1,390	1,320	1,250

BRACKETS ONLY

Mounting Hardware Not Included & Priced Separately on Page 173

SATIN

MODEL	ITEM #	1-2	3-6	7+
ECOM/B	323157	\$400	\$380	\$360
ECOST/B	323158	180	170	160
ECO/B	323159	780	740	700

CLEAR

MODEL	ITEM #	1-2	3-6	7+
ECOM/B	323160	\$500	\$480	\$460
ECOST/B	323161	210	200	190
ECO/B	323162	840	790	750

BRONZE

MODEL	ITEM #	1-2	3-6	7+
ECOM/B	323163	\$500	\$480	\$460
ECOST/B	323164	210	200	190
ECO/B	323165	840	790	750

BLACK

MODEL	ITEM #	1-2	3-6	7+
ECOM/B	323166	\$500	\$480	\$460
ECOST/B	323167	210	200	190
ECO/B	323168	840	790	750

WHITE

MODEL	ITEM #	1-2	3-6	7+
ECOM/B	323169	\$500	\$480	\$460
ECOST/B	323170	210	200	190
ECO/B	323171	840	790	750

SHIPPING WEIGHTS

ECOM Brackets Weigh 26 lbs. each
 ECOST Brackets Weigh 8.4 lbs. each
 ECO Brackets Weigh 22 lbs. each

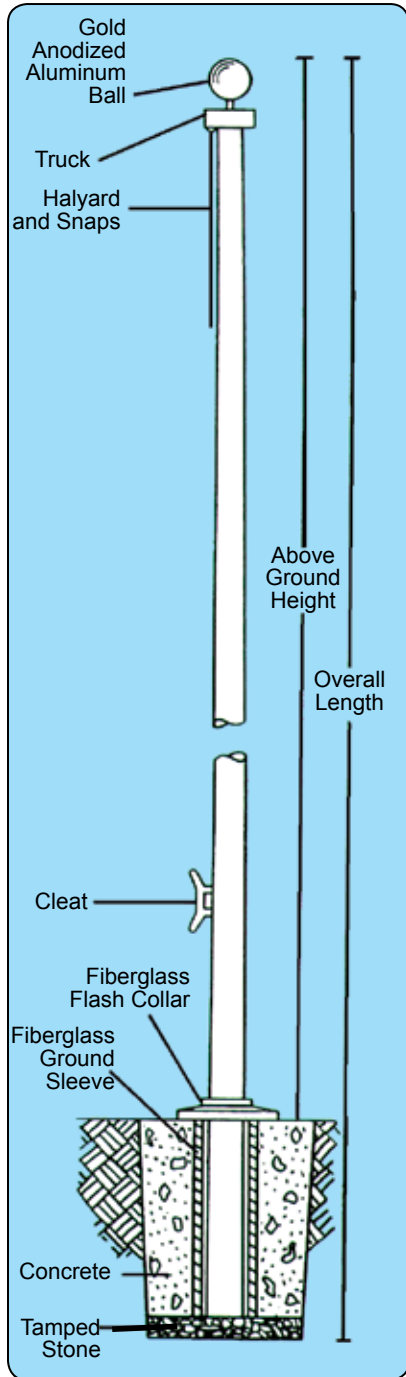
Add \$30.00 to any of the flagpole pricing above for double cleat-double halyard flagpoles.

All poles on pages 127 through 151 can be mixed or matched to achieve the higher quantity pricing, but shipment must be made to the same location at the same time.

OUTDOOR FLAGPOLES

FIBERGLASS EXTERNAL HALYARD SERIES

Fiberglass has many features. Fiberglass laminate tensile strength exceeds 40,000 psi. Provides long lasting beauty because the hard, glossy polyester surface resists soiling, scratching and will not rust or corrode. Fiberglass poles are the least expensive way to obtain a traditional white pole. Many color options are available including a bronze finish. Classic design has a double taper which duplicates traditional flagpole style. Upper half tapers .150" per Ft. Since fiberglass is a non-conductor, no grounding is required; thus installation is easy and inexpensive. Our flagpoles are manufactured from a custom formulated unidirectional fiberglass roving and polyester resin. This special roving allows us to fabricate more than 75% of the glass fiber vertically to maximize rigidity and axial strength. FRP poles depend on filament winding which emphasizes hoop strength. Others use fiberglass cloth which is inherently weaker than weaving. The extreme hard, glossy finish of our poles is a high build, modified polyester surface which provides unequalled beauty and maximum durability. The pole and surface are a totally bonded polyester medium which virtually eliminates any possibility of peeling or separation.



STANDARD ACCESSORIES

- Gold anodized aluminum ball ornament
- Stationary truck on poles 15' thru 39', revolving truck on poles 50' thru 78'
- Solid braided polypropylene halyard
- Swivel flag snaps with vinyl covers on all models except FGR15, FGR20 & FGR25 which are supplied with nylon snaps
- A cast aluminum cleat with mounting screws is supplied on all models except the FGR15 which is supplied with a cast nylon cleat
- A fiberglass flash collar is supplied on all models except the FGR15, FGR20 & FGR25; a flash collar is available for the poles as an option
- Fiberglass foundation sleeve

MODEL	EXPOSED HEIGHT	OVERALL LENGTH	BUTT DIA.	TOP DIA.	WALL	REC. FLAG SIZE	UNFLAGGED MAX. WIND	FLAGGED MAX. WIND	SHIPPING WEIGHT
FGR15	15'	16 1/2'	3"	1 7/8"	.125	2' x 3'	80 MPH	65 MPH	18 lbs.
FGR20	20'	22'	4"	2 3/4"	.150	3' x 5'	100 MPH	80 MPH	40 lbs.
FGR25	25'	27'	4 1/4"	2 3/4"	.150	4' x 6'	100 MPH	80 MPH	51 lbs.
FG25	25'	28'	6"	3"	.180	4' x 6'	120 MPH	90 MPH	101 lbs.
FG30	30'	33'	6 1/2"	3"	.180	5' x 8'	120 MPH	90 MPH	126 lbs.
FG35	35'	39'	7"	3"	.200	5' x 8'	120 MPH	90 MPH	166 lbs.
FG39	39'	43'	7"	3"	.200	6' x 10'	120 MPH	90 MPH	183 lbs.
FG50	50'	55'	10"	4 1/2"	.275	8' x 12'	120 MPH	90 MPH	547 lbs.
FG60	60'	66'	10 1/2"	4 1/2"	.300	10' x 15'	120 MPH	90 MPH	688 lbs.
FG70	70'	77'	16"	7"	.325	12' x 18'	120 MPH	90 MPH	1000 lbs.
FG78	78'	85'	10 3/4"	7"	.350	15' x 25'	120 MPH	90 MPH	1350 lbs.

WHITE

MODEL	ITEM #	1-2	3-6	7+
FGR15*	323172	\$400	\$380	\$360
FGR20*	323173	560	530	500
FGR25*	323174	700	670	640
FG25	323175	1,380	1,320	1,250
FG30	323176	1,700	1,620	1,540
FG35	323177	2,260	2,150	2,040
FG39	323178	2,650	2,520	2,390
FG50	323179	6,100	5,800	5,500
FG60	323180	7,400	7,100	6,800
FG70	323181	14,000	13,440	12,900
FG78	323182	18,600	17,860	17,140

*FGR15, FGR20 and FGR25 DO NOT include a flash collar as standard equipment. For collar add \$34.00.

BRONZE

MODEL	ITEM #	1-2	3-6	7+
FGR20*	323187	\$590	\$570	\$550
FGR25*	323188	750	720	680
FG25	323189	1,400	1,330	1,270
FG30	323190	1,750	1,670	1,590
FG35	323191	2,250	2,140	2,030
FG39	323192	2,600	2,470	2,350
FG50	323193	6,300	6,030	5,750
FG60	323194	7,560	7,200	6,900
FG70	323195	14,700	13,960	13,260
FG78	323196	19,500	18,530	17,600

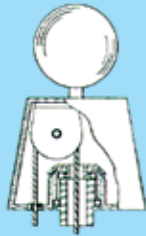
*FGR15, FGR20 and FGR25 DO NOT include a flash collar as standard equipment. For collar add \$34.00.

CUSTOM COLORS
Contact us for pricing.

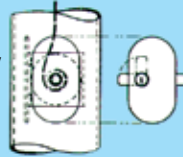
Add \$30.00 to any of the flagpole pricing above for double cleat-double halyard flagpoles.

50 FT. AND ABOVE

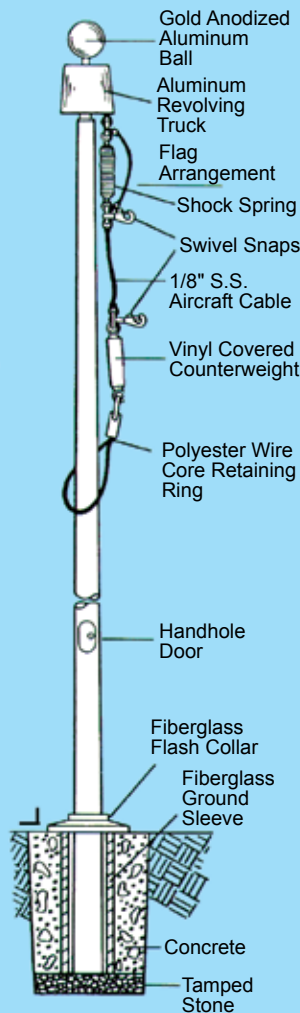
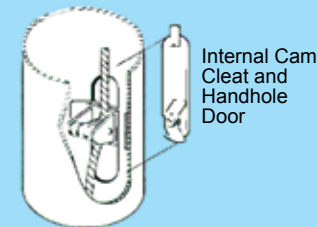
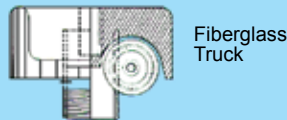
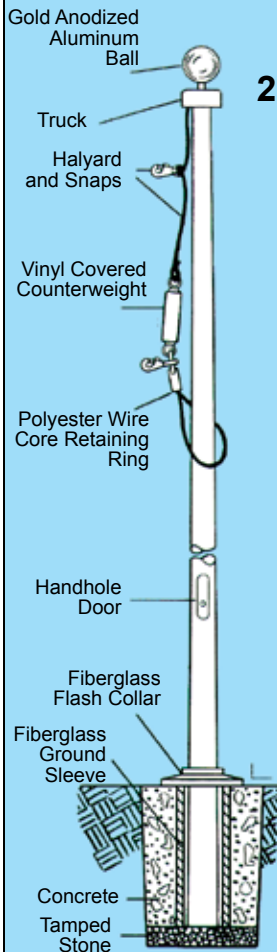
Aluminum Revolving Truck



Internal Winch - Front View



25 FT. to 39 FT.



FIBERGLASS INTERNAL HALYARD SERIES

STANDARD ACCESSORIES

- Gold anodized aluminum ball ornament
- Stationary truck on poles 25' through 39'; revolving truck on poles 50' through 78'
- Swivel flag snaps with vinyl covers on all models
- Fiberglass flash collar
- Fiberglass foundation sleeve

WHITE

MODEL	ITEM #	1-2	3-6	7+
FG25IH	323256	\$1,680	\$1,600	\$1,530
FG30IH	323257	1,990	1,910	1,840
FG35IH	323258	2,540	2,410	2,300
FG39IH	323259	2,940	2,790	2,650
FG50IH	323260	7,800	7,400	7,000
FG60IH	323261	9,300	8,850	8,500
FG70IH	323262	16,860	16,000	15,220
FG78IH	323263	21,500	20,400	19,400

BRONZE

MODEL	ITEM #	1-2	3-6	7+
FG25IH	323264	\$1,780	\$1,710	\$1,640
FG30IH	323265	2,100	2,000	1,930
FG35IH	323266	2,670	2,540	2,410
FG39IH	323267	3,080	2,920	2,780
FG50IH	323268	8,200	7,700	7,300
FG60IH	323269	9,700	9,220	8,750
FG70IH	323270	17,700	16,800	15,900
FG78IH	323271	22,500	21,400	20,300

CUSTOM COLORS
Contact us for pricing.

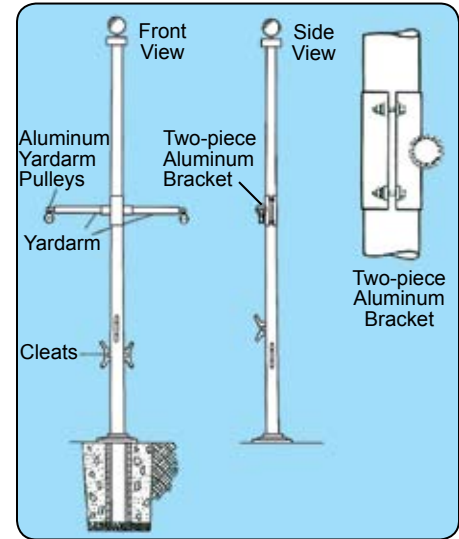
MODEL	EXPOSED HEIGHT	OVERALL LENGTH	BUTT DIA.	TOP DIA.	WALL	REC. FLAG SIZE	UNFLAGGED MAX. WIND	FLAGGED MAX. WIND	SHIPPING WEIGHT
FG25IH	25'	28'	6"	3"	.180	4' x 6'	120 MPH	90 MPH	101 lbs.
FG30IH	30'	33'	6 1/2"	3"	.180	5' x 8'	120 MPH	90 MPH	126 lbs.
FG35IH	35'	39'	7"	3"	.200	5' x 8'	120 MPH	90 MPH	166 lbs.
FG39IH	39'	43'	7"	3"	.200	6' x 10'	120 MPH	90 MPH	183 lbs.
FG50IH	50'	55'	10"	4 1/2"	.275	8' x 12'	120 MPH	90 MPH	547 lbs.
FG60IH	60'	66'	10 1/2"	4 1/2"	.300	10' x 15'	120 MPH	90 MPH	688 lbs.
FG70IH	70'	77'	16"	7"	.325	12' x 18'	120 MPH	90 MPH	1000 lbs.
FG78IH	78'	85'	16"	7"	.350	15' x 25'	120 MPH	90 MPH	1350 lbs.

OUTDOOR FLAGPOLES

FIBERGLASS NAUTICAL SERIES

Singe Mast External Halyard Flagpoles with Yardarm

Each flagpole is supplied with a gold anodized aluminum ball ornament, a stationary truck on poles 25' thru 39'; a revolving truck on poles 50' thru 78', fiberglass yardarm with pulleys & mounting hardware, (3) lengths of solid braided polypropylene halyard, swivel flag snaps with vinyl covers on all models except the FGRP25-Y which is supplied with nylon snaps, (3) cast aluminum cleats with mounting screws, fiberglass flash collar (except FGRP25-Y) and fiberglass foundation sleeve.



MODEL	EXPOSED HEIGHT	OVERALL LENGTH	BUTT DIA.	TOP DIA.	WALL	YARDARM DIMENSIONS			SHIPPING WEIGHT
						LENGTH	CENTER	ENDS	
FGRP25-Y*	25'	27'	4 1/4"	2 3/4"	.150	6'	3"	2 1/2"	65 lbs.
FGP25-Y	25'	28'	6"	3"	.180	6 1/2'	3"	2"	124 lbs.
FGP30-Y	30'	33'	6 1/2"	3"	.180	8'	4"	3"	152 lbs.
FGP35-Y	35'	39'	7"	3"	.200	9 1/2'	4"	3"	195 lbs.
FGP39-Y	39'	43'	7"	3"	.200	11'	4"	3"	215 lbs.
FGP50-Y	50'	55'	10"	4 1/2"	.275	13 1/2'	4 1/2"	3"	600 lbs.
FGP60-Y	60'	66'	10 1/2"	4 1/2"	.300	16'	4 1/2"	3"	746 lbs.

WHITE

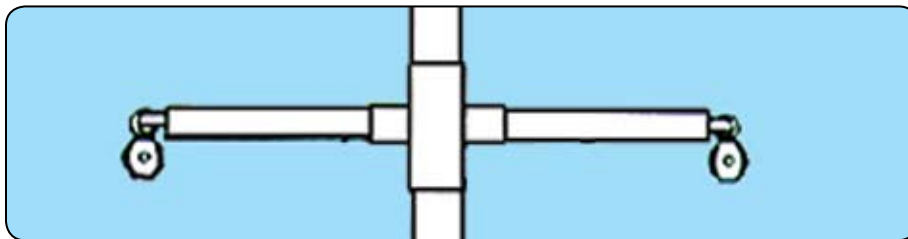
MODEL	ITEM #	1-2	3-6	7+
FGRP25-Y*	323280	\$1,180	\$1,130	\$1,070
FGP25-Y	323281	2,140	2,040	1,940
FGP30-Y	323282	2,550	2,420	2,300
FGP35-Y	323283	3,040	2,900	2,830
FGP39-Y	323284	3,410	3,250	3,150
FGP50-Y	323285	6,600	6,400	6,300
FGP60-Y	323286	8,100	7,900	7,700

BRONZE

MODEL	ITEM #	1-2	3-6	7+
FGRP25-Y*	323288	\$1,250	\$1,190	\$1,130
FGP25-Y	323289	2,260	2,140	2,040
FGP30-Y	323290	2,680	2,550	2,430
FGP35-Y	323291	3,200	3,050	2,980
FGP39-Y	323292	3,570	3,430	3,310
FGP50-Y	323293	7,100	6,920	6,820
FGP60-Y	323294	8,500	8,300	8,100

CUSTOM COLORS
Contact us for pricing.

*FGRP25 not supplied with flash collar as standard; add \$34.00 if flash collar is required. The FGRP25 is supplied with a yardarm designed with a 1-piece wrap around bracket for securing the yardarm to the pole.



FIBERGLASS YARDARMS

Each yardarm is supplied with end pulleys, (2) lengths of solid braided polypropylene halyard, swivel flag snaps with vinyl covers (FGPY25 supplied with nylon flag snaps), (2) cast aluminum cleats with mounting screws plus all mounting hardware for a complete installation.

MODEL	FOR POLE HEIGHT	OVERALL LENGTH	CENTER DIA.	DIA. AT ENDS	SHIPPING WEIGHT
FGRY25	25'	6'	3"	2 1/2"	20 lbs.
FGY25	25'	6 1/2'	3"	2"	23 lbs.
FGY30	30'	8'	4"	3"	26 lbs.
FGY35	35'	9 1/2'	4"	3"	29 lbs.
FGY39	39'	11'	4"	3"	32 lbs.
FGY50	50'	13 1/2'	4 1/2"	3"	53 lbs.
FGY60	60'	16'	4 1/2"	3"	58 lbs.



WHITE

MODEL	ITEM #	1-2	3-6	7+
FGRY25	323304	\$540	\$520	\$500
FGY25	323305	920	880	840
FGY30	323306	1,040	1,000	960
FGY35	323307	1,090	1,040	990
FGY39	323308	1,190	1,140	1,090
FGY50	323309	1,570	1,490	1,460
FGY60	323310	1,730	1,660	1,590

BRONZE

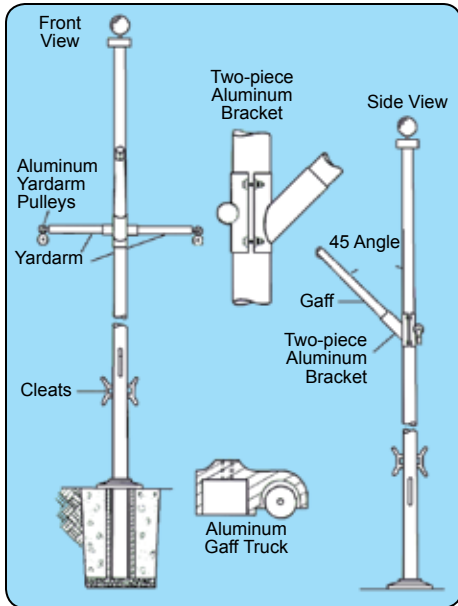
MODEL	ITEM #	1-2	3-6	7+
FGRY25	323311	\$580	\$560	\$540
FGY25	323312	980	940	900
FGY30	323313	1,090	1,050	1,010
FGY35	323314	1,150	1,100	1,060
FGY39	323315	1,250	1,200	1,150
FGY50	323316	1,660	1,600	1,530
FGY60	323317	1,820	1,740	1,670

CUSTOM COLORS
Contact us for pricing.

FIBERGLASS NAUTICAL SERIES

Singe Mast External Halyard Flagpoles with Yardarm & Gaff

Each flagpole is supplied with a gold anodized aluminum ball ornament, a stationary truck on poles 25' thru 39'; a revolving truck on poles 50' thru 78', fiberglass yardarm & gaff assembly with mounting hardware, (4) lengths of solid braided polypropylene halyard, swivel flag snaps with vinyl covers, (4) cast aluminum cleats with mounting screws, fiberglass flash collar and fiberglass foundation sleeve.



WHITE

MODEL	ITEM #	1-2	3-6	7+
FGP25-YG	323325	\$2,880	\$2,700	\$2,600
FGP30-YG	323326	3,200	2,050	2,900
FGP35-YG	323327	3,850	3,660	3,500
FGP39-YG	323328	4,500	4,300	4,060
FGP50-YG	323329	8,460	8,040	7,640
FGP60-YG	323330	9,900	9,600	9,170

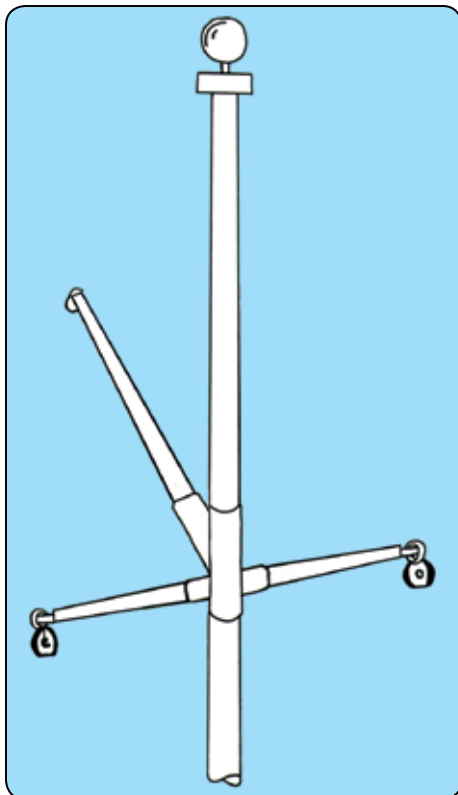
BRONZE

MODEL	ITEM #	1-2	3-6	7+
FGP25-YG	323331	\$3,040	\$2,890	\$2,740
FGP30-YG	323332	3,500	3,350	3,160
FGP35-YG	323333	4,080	3,880	3,690
FGP39-YG	323334	4,600	4,370	4,150
FGP50-YG	323335	8,900	8,460	8,040
FGP60-YG	323336	10,300	9,900	9,400

CUSTOM COLORS

Contact us for pricing.

MODEL	EXPOSED HEIGHT	OVERALL LENGTH	BUTT DIA.	TOP DIA.	WALL	YARDARM DIMENSIONS			GAFF DIMENSIONS			SHIPPING WEIGHT
						LENGTH	CENTER	ENDS	LENGTH	BUTT	TOP	
FGP25-YG	25'	28'	6"	3"	.180	6 1/2'	3"	2"	4 1/2'	3"	2"	124 lbs.
FGP30-YG	30'	33'	6 1/2"	3"	.180	8'	4"	3"	5 1/2'	4"	3"	152 lbs.
FGP35-YG	35'	39'	7"	3"	.200	9 1/2'	4"	3"	6 1/2'	4"	3"	195 lbs.
FGP39-YG	39'	43'	7"	3"	.200	11'	4"	3"	7 1/2'	4"	3"	215 lbs.
FGP50-YG	50'	55'	10"	4 1/2"	.275	13 1/2'	4 1/2"	3"	10'	4 1/2"	3"	600 lbs.
FGP60-YG	60'	66'	10 1/2"	4 1/2"	.300	16'	6 1/2"	3"	11'	4 1/2"	3"	746 lbs.



FIBERGLASS YARDARM/GAFF ASSEMBLIES

Each yardarm/gaff assembly is supplied with end pulleys, (3) lengths of solid braided polypropylene halyard, swivel flag snaps with vinyl covers, (3) cast aluminum cleats with mounting screws plus all mounting hardware for a complete installation.

MODEL	FOR POLE HEIGHT	YARDARM DIMENSIONS			GAFF DIMENSIONS			SHIPPING WEIGHT
		LENGTH	CENTER	ENDS	LENGTH	BUTT	TOP	
FGYG25	25'	6 1/2'	3"	2"	4 1/2'	3"	2"	43 lbs.
FGYG30	30'	8'	4"	3"	5 1/2'	4"	3"	49 lbs.
FGYG35	35'	9 1/2'	4"	3"	6 1/2'	4"	3"	53 lbs.
FGYG39	39'	11'	4"	3"	7 1/2'	4"	3"	58 lbs.
FGYG50	50'	13 1/2'	4 1/2"	3"	10'	4 1/2"	3"	75 lbs.
FGYG60	60'	16'	4 1/2"	3"	11'	4 1/2"	3"	81 lbs.

WHITE

MODEL	ITEM #	1-2	3-6	7+
FGYG25	323343	\$1,500	\$1,440	\$1,390
FGYG30	323344	1,760	1,680	1,600
FGYG35	323345	1,790	1,680	1,620
FGYG39	323346	1,980	1,900	1,820
FGYG50	323347	2,750	2,640	2,540
FGYG60	323348	3,000	2,880	2,760

BRONZE

MODEL	ITEM #	1-2	3-6	7+
FGYG25	323349	\$1,600	\$1,530	\$1,470
FGYG30	323350	1,750	1,660	1,580
FGYG35	323351	1,890	1,800	1,720
FGYG39	323352	2,070	1,980	1,900
FGYG50	323353	2,890	2,750	2,600
FGYG60	323354	3,140	2,980	2,830

CUSTOM COLORS

Contact us for pricing.

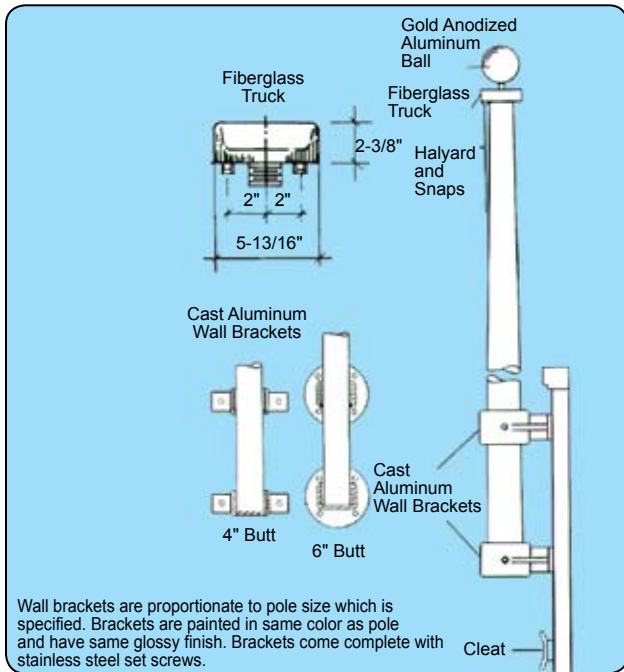
OUTDOOR FLAGPOLES

FIBERGLASS VERTICAL WALL MOUNT SERIES

External Halyard

STANDARD ACCESSORIES

- Gold anodized aluminum ball ornament
- Stationary fiberglass truck
- Solid braided polypropylene halyard
- Swivel flag snaps with vinyl covers
- Cast aluminum cleat with mounting screws
- Cast aluminum mounting brackets - please specify expansion shield or thru wall bolts; if not specified expansion shields will be provided



MODEL	OVERALL LENGTH	BUTT DIA.	TOP DIA.	REC. FLAG SIZE	SHIPPING WEIGHT
FGVW15	15'	4"	2 ³ / ₄ "	5' x 8'	67 lbs.
FGVW20	20'	4"	2 ³ / ₄ "	5' x 8'	88 lbs.
FGVW25	25'	6"	2 ³ / ₄ "	5' x 8'	107 lbs.
FGVW30	30'	6"	2 ³ / ₄ "	5' x 8'	119 lbs.

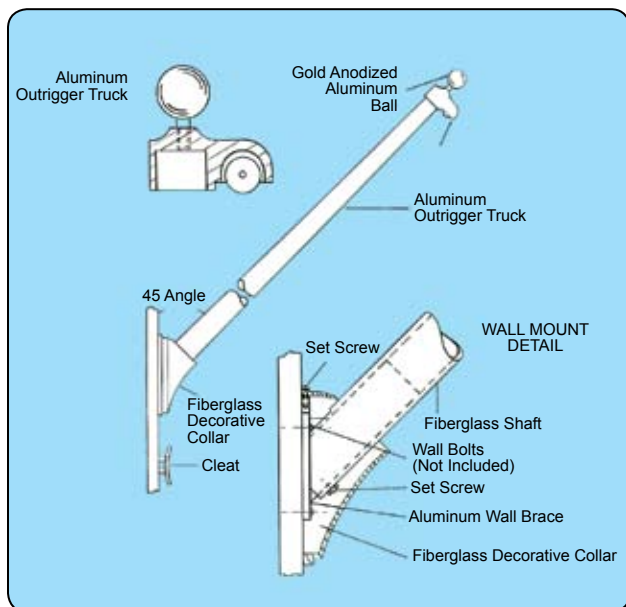
WHITE

MODEL	ITEM #	1-2	3-6	7+
FGVW15	323361	\$1,080	\$1,040	\$1,000
FGVW20	323362	1,270	1,220	1,170
FGVW25	323363	1,940	1,860	1,790
FGVW30	323364	2,260	2,170	2,080

BRONZE

MODEL	ITEM #	1-2	3-6	7+
FGVW15	323365	\$1,080	\$1,040	\$1,000
FGVW20	323366	1,340	1,290	1,240
FGVW25	323367	2,040	1,960	1,880
FGVW30	323368	2,370	2,280	2,190

CUSTOM COLORS
Contact us for pricing.



FIBERGLASS OUTRIGGER WALL MOUNT SERIES

External Halyard

STANDARD ACCESSORIES

- Gold anodized aluminum ball ornament
- Stationary fiberglass truck
- Solid braided polypropylene halyard
- Swivel flag snaps with vinyl covers
- Cast aluminum cleat with mounting screws
- Cast aluminum mounting brackets - please specify expansion shield or thru wall bolts; if not specified expansion shields will be provided

MODEL	OVERALL LENGTH	BUTT DIA.	TOP DIA.	REC. FLAG SIZE	SHIPPING WEIGHT
FGOR10	10'	5"	3"	4' x 6'	55 lbs.
FGOR12	12'	5"	3"	5' x 8'	60 lbs.
FGOR14	14'	5"	3"	5' x 8'	65 lbs.

WHITE

MODEL	ITEM #	1-2	3-6	7+
FGOR10	323373	\$1,350	\$1,300	\$1,250
FGOR12	323374	1,430	1,370	1,320
FGOR14	323375	1,530	1,470	1,410

BRONZE

MODEL	ITEM #	1-2	3-6	7+
FGOR10	323376	\$1,420	\$1,360	\$1,310
FGOR12	323377	1,500	1,440	1,380
FGOR14	323378	1,610	1,550	1,490

CUSTOM COLORS
Contact us for pricing.

FRANKLIN SERIES

The Franklin series comes complete with 1 1/2" diameter clear anodized aluminum pole, 3" gold anodized aluminum ball ornament, cast aluminum single-sheave stationary truck, 50' of 1/4" solid braided polypropylene halyard, (2) nylon flag snaps per halyard, 9" cast aluminum cleat(s) with mounting screws and cast or fabricated aluminum mounting bracket(s). Mounting hardware not included.



OUTRIGGER SETS With Bracket

MODEL	ITEM #	LEN.	1-2	3-6	7+	LBS.
EOA6	323403	6'	\$240	\$230	\$220	14
EOA9	323404	9'	280	270	250	17
EOA10	323405	10'	290	280	270	18



OUTRIGGER BRACKET Displays Pole at 30° Angle

Mounting Hardware Not Included

MODEL	ITEM #	1-2	3-6	7+	LBS.
EOA	323422	\$92	\$90	\$88	3.4



SINGLE CORNER SETS With Bracket

MODEL	ITEM #	LEN.	1-2	3-6	7+	LBS.
SC6	323406	6'	\$300	\$288	\$270	16
SC9	323407	9'	350	330	320	19
SC10	323408	10'	370	350	340	20



SINGLE CORNER BRACKET Displays Pole at 45° Angle

Mounting Hardware Not Included

MODEL	ITEM #	1-2	3-6	7+	LBS.
SC	323423	\$160	\$154	\$148	5.2



DOUBLE CORNER SETS With Bracket

MODEL	ITEM #	LEN.	1-2	3-6	7+	LBS.
DC6	323409	6'	\$340	\$320	\$310	26
DC9	323410	9'	380	360	350	31
DC10	323411	10'	390	370	360	33



DOUBLE CORNER BRACKET Displays Pole at 45° Angle

Mounting Hardware Not Included

MODEL	ITEM #	1-2	3-6	7+	LBS.
DC	323424	\$180	\$172	\$166	5.8



TRIPLE CORNER SETS With Bracket

MODEL	ITEM #	LEN.	1-2	3-6	7+	LBS.
TC6	323412	6'	\$370	\$350	\$340	32
TC9	323413	9'	400	380	370	39
TC10	323414	10'	410	390	380	42



TRIPLE CORNER BRACKET Displays Pole at 45° Angle

Mounting Hardware Not Included

MODEL	ITEM #	1-2	3-6	7+	LBS.
TC	323425	\$200	\$192	\$184	6.3



VERTICAL WALL SETS With Brackets

MODEL	ITEM #	LEN.	1-2	3-6	7+	LBS.
EVWA6	323415	6'	\$230	\$220	\$210	13
EVWA9	323416	9'	260	250	240	16
EVWA10	323417	10'	280	270	250	17
EVWA12	323418	12'	290	270	260	19



VERTICAL WALL BRACKETS Mounting Hardware Not Included Priced Per Set

MODEL	ITEM #	1-2	3-6	7+	LBS.
EVWA	323426	\$86	\$82	\$78	2.2



ROOF MOUNT SET With Bracket

MODEL	ITEM #	LEN.	1-2	3-6	7+	LBS.
RM6	323419	6'	\$300	\$280	\$270	15
RM9	323420	9'	340	320	310	18
RM10	323421	10'	370	360	340	19



ROOF MOUNT BRACKET Mounting Hardware Not Included

See "Vertical Holders" Pricing on Page 118

1 1/2" DIAMETER CLEAR ANODIZED POLES ONLY

ITEM #	LENGTH	WALL	PRICE	LBS.
310039	72"	.125	\$42	3.7
323739	96"	.125	56	4.6
323427	108"	.125	62	5.6
323428	120"	.125	68	6.2
323429	144"	.125	82	7.4